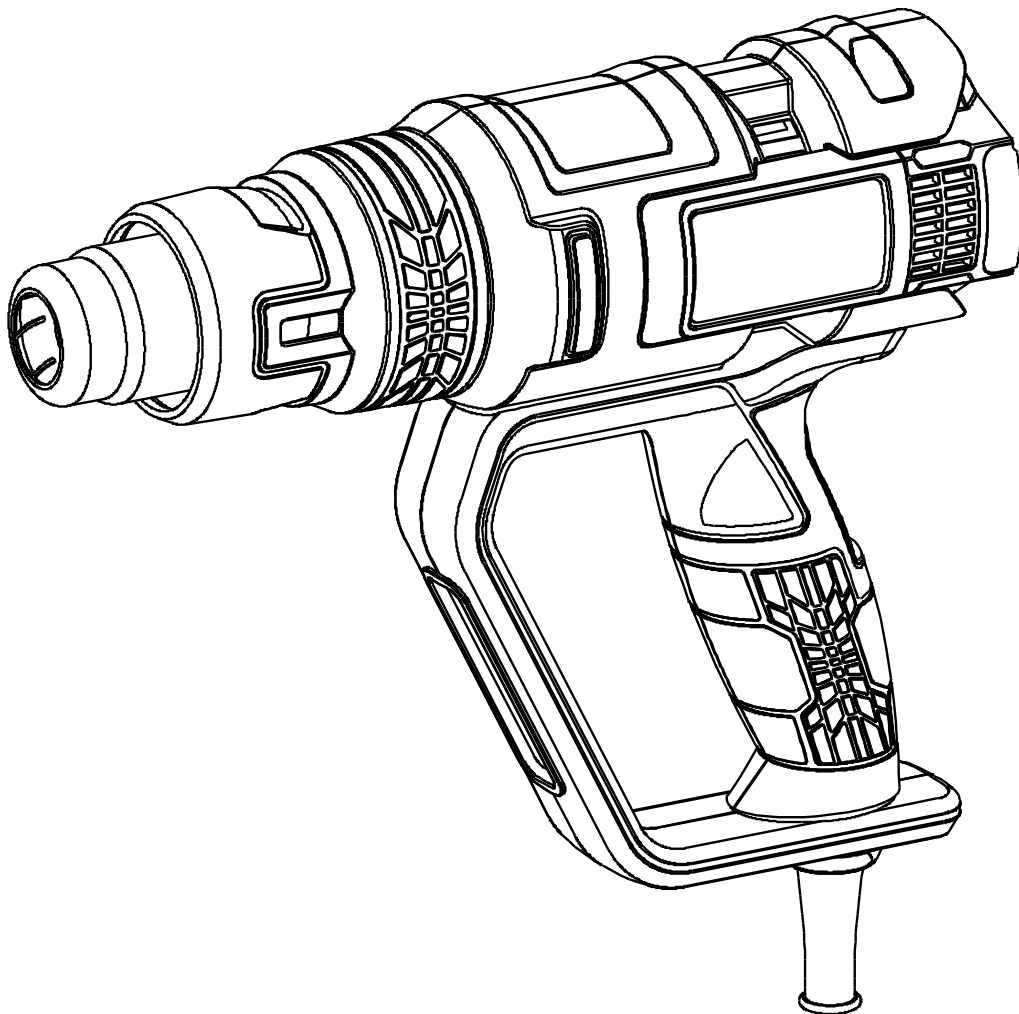


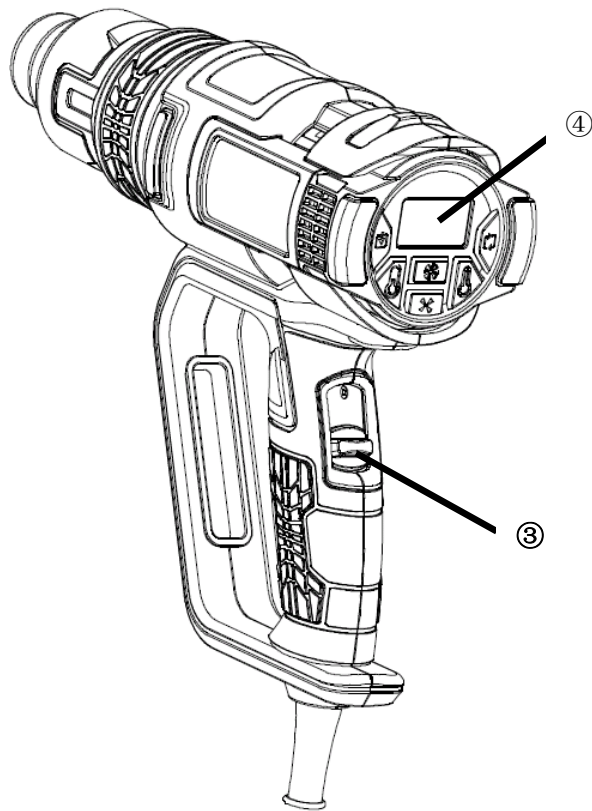
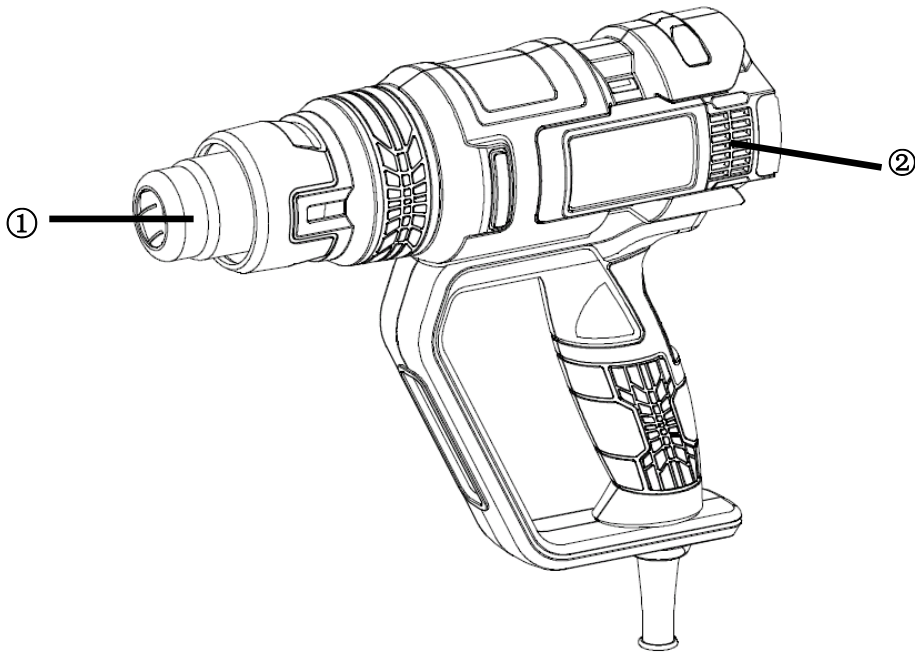


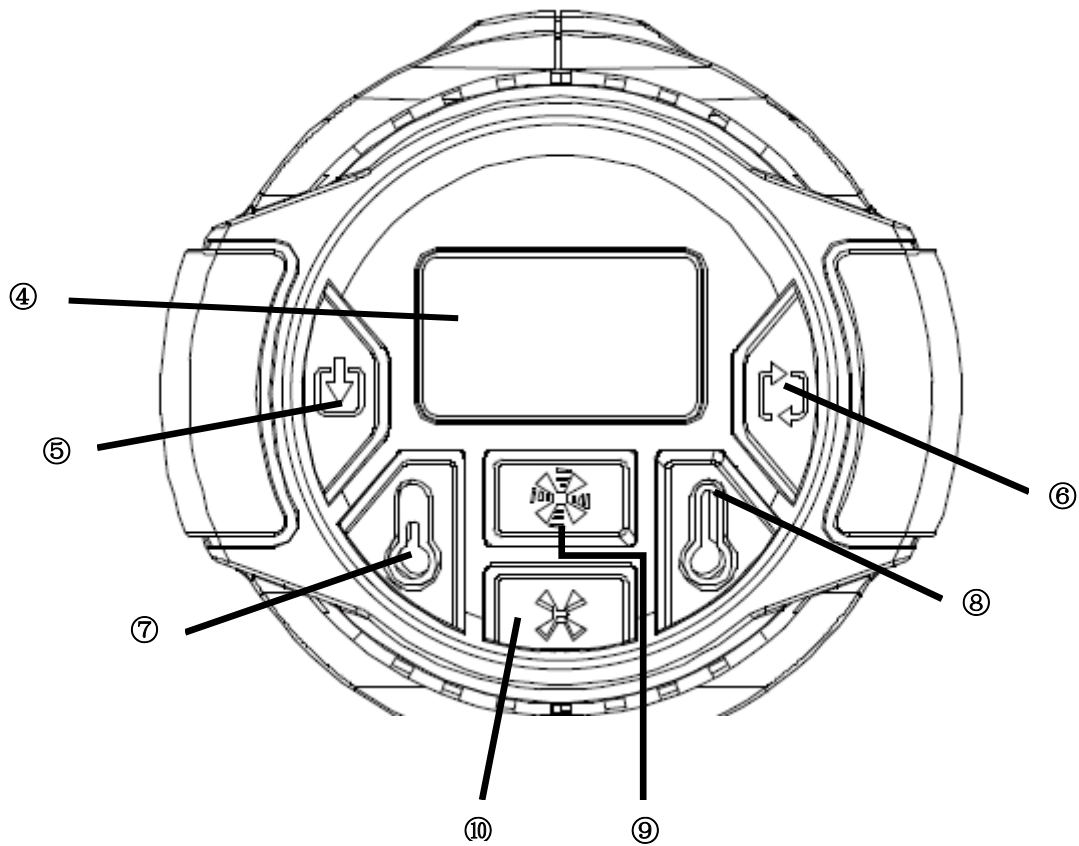
USER MANUAL

HEAT GUN — THEATG-002

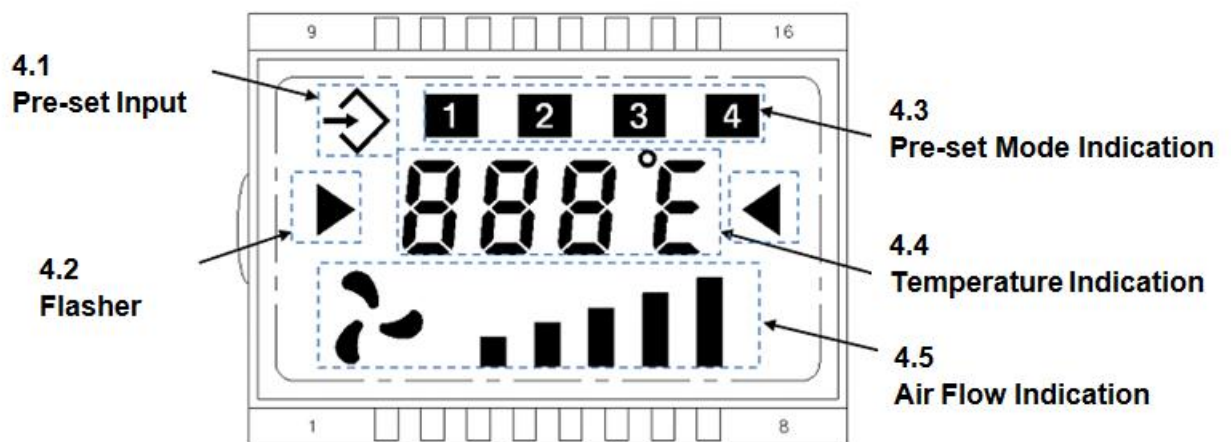


Please read this instruction manual before using your new power tools





④ Air Flow Indication



1 APPLICATION

Your heat gun has been designed for stripping paint, soldering pipes, shrinking PVC, welding and bending plastic as well as general drying and thawing purposes.



WARNING! Read this manual and general safety Instructions carefully before using the appliance, for your own safety. Your power tool should only be passed on together with these instructions.

2 DESCRIPTION

- ① Nozzle
- ② Ventilation Slots
- ③ On/off Switch (0/I/II)
- ④ LCD Digital Display
- ⑤ Storage Button
- ⑥ Mode Selection Button
- ⑦ Adjustment Button for temperature+
- ⑧ Adjustment Button for temperature-
- ⑨ Adjustment Button for air flow +
- ⑩ Adjustment Button for air flow -

3 PACKAGE CONTENT LIST

- Remove all packing materials
- Remove remaining packaging and transit supports(if existing)
- Check the completeness of the packing content
- Check the appliance, the power cord, the power plug and all accessories for transportation damages.
- Keep the packaging materials as far as possible till the end of the warranty period. Dispose it into your local waste disposal system afterwards.



WARNING! Packing materials are no toys! Children must not play with plastic bags! Danger of suffocation!

- 1 Heat gun
- 1 Set of accessories (*Accessories may not be necessarily be included*)
- 1 Instruction manual



When parts are missing or damaged, please contact your dealer.

4 GENERAL POWER TOOL SAFETY WARNINGS

Read all safety warnings and all instructions. Failure to follow all warnings and instructions may result in electric shock, fire and/or serious injury. Save all warnings and instructions for future reference. The term “power tool” in the warnings refers to your mains operated (corded) power tool or battery operated (cordless) power tool.

This appliance can be used by children aged from 8 years and above and persons with reduced physical, sensory or mental capabilities or lack of experience and knowledge if they have been given supervision or instruction concerning use of the appliance in a safe way and understand the hazards involved. Children shall not play with the appliance.

Cleaning and user maintenance shall not be made by children without supervision.

If the supply cord is damaged, it must be replaced by the manufacturer, its service agent or similarly qualified persons in order to avoid a hazard.

Do not apply to the same place for a long time;

Place the appliance on its stand after use and allow it to cool down before storage;

4.1 Work area

- Keep work area clean and well lit. Cluttered and dark areas invite accidents.
- Do not operate power tools in explosive atmospheres, such as in the presence of flammable liquids, gases or dust. Power tools create sparks which may ignite the dust or fumes.
- Keep children and bystanders away while operating a power tool. Distractions can cause you to lose control.

4.2 Electrical safety

- Power tool plugs must match the outlet. Never modify the plug in any way. Do not use any adapter plugs with earthed (grounded) power tools. Unmodified plugs and matching outlets will reduce risk of electric shock.
- Avoid body contact with earthed or grounded surfaces such as pipes, radiators, ranges and refrigerators. There is an increased risk of electric shock if your body is earthed or grounded.
- Do not expose power tools to rain or wet conditions. Water entering a power tool will increase the risk of electric shock.
- Do not abuse the cord. Never use the cord for carrying, pulling or unplugging the power tool. Keep cord away from heat, oil, sharp edges or moving parts. Damaged or entangled cords increase the risk of electric shock.
- When operating a power tool outdoors, use an extension cord suitable for outdoor use. Use of a cord suitable for outdoor use reduces the risk of electric shock.
- If operating a power tool on a damp location is unavoidable, use a residual current device (RCD) protected supply. Use of an RCD reduces the risk of electric shock.

4.3 Personal safety

- Stay alert, watch what you are doing and use common sense when operating a power tool. Do not use a power tool while you are tired or under the influence of drugs, alcohol or medication. A moment of inattention while operating power tools may result in serious personal injury.
- Use safety equipment. Always wear eye protection. Safety equipment such as dust mask, non-skid safety shoes, hand hat, or hearing protection used whenever conditions require will reduce personal injuries.
- Avoid accidental starting. Ensure the switch is in the off position before plugging in. Carrying power tools with your finger on the switch or plugging in power tools that have the switch on invites accidents.
- Remove any adjusting key or wrench before turning the power tool on. A wrench or a key left attached to a rotating part of the power tool may result in personal injury.
- Do not overreach. Keep proper footing and balance at all times. This enables better control of the power tool in unexpected situations.
- Dress properly. Do not wear loose clothing or jewellery. Keep your hair, clothing and gloves away from moving parts. Loose clothes, jewellery or long hair can be caught in moving parts.
- If devices are provided for the connection of dust extraction and collection facilities, ensure these are connected and properly used. Use of these devices can reduce dust related hazards.

4.4 Power tool use and care

- Do not force the power tool. Use the correct power tool for your application. The correct power tool will do the job better and safer at the rate of which it was designed.
- Do not use the power tool if the switch does not turn it on and off. Any power tool that cannot be controlled with the switch is dangerous and must be repaired.
- Disconnect the plug from the power source before making any adjustments, changing

accessories, or storing power tools. Such preventive safety measures reduce the risk of starting the power tool accidentally.

- Store idle power tool out of the reach children and do not allow persons unfamiliar with the power tool of these instructions to operate the power tool. Power tools are dangerous in the hands of untrained users.
- Maintain power tools. Check for misalignment or sticking of moving parts, breakage of parts and other condition that may affect the power tool's operation. If damaged, have the power tool repaired before use. Many accidents are caused by poorly maintained power tools.
- Keep cutting tools sharp and clean. Properly maintained cutting tools with cutting edges are less likely to stick and are easier to control.
- Use the power tool, accessories and tool bits etc., in accordance with these instructions and in the manner intended for the particular type of power tool, taking into account the working conditions and the work to be performed. Use of the power tool for operations different from intended could lead to a hazardous situation.

4.5 Service

- Have your power tool serviced by qualified repair person using only identical replacement parts. This will ensure that the safety of the power tool is maintained.

5 ADDITIONAL SAFETY INSTRUCTIONS FOR HEAT GUNS

- Do not place your hand over the air vents or block the vents in any way.
- The nozzle and accessories of this tool become extremely hot during use. Let these parts cool down before touching.
- Always switch the tool off before putting it down.
- Do not leave the tool unattended while it is switched on.
- A fire may arise if the appliance is not used with care.
- Heat may be conducted to combustible materials that are out of sight. Do not use in a damp atmosphere, where flammable gases may be present or near combustible materials.
- Allow the tool to cool fully before storing.
- Ensure adequate ventilation as toxic fumes may be produced.
- Do not use as a hairdryer.
- Do not obstruct either the air intake or nozzle outlet, as this may cause excessive heat build up resulting in damage to the tool.
- Do not direct the hot air blast at other people.
- Do not touch the metal nozzle as it becomes very hot during use and remains hot for up to 30 minutes after use.
- Do not place the nozzle against anything while using or immediately after use.
- Do not poke anything down the nozzle as it could give you an electric shock. Do not look down the nozzle while the unit is working because of the high temperature being produced.
- Do not allow paint to adhere to the nozzle or scraper as it could ignite after some time.

6 REMOVING PAINT

- Do not use this tool to remove paint containing lead. The peelings, residue and vapors of paint may contain lead, which is poisonous. Any pre-1960 building may have been painted in the past with paint containing lead and covered with additional layers of paint. Once deposited on surfaces, hand to mouth contact can result in the ingestion of lead. Exposure even to low levels of lead can cause irreversible damage to the brain and nervous system. Young and unborn children are particularly vulnerable.

- When removing paint., ensure that the work area is enclosed. Preferably wear a dust mask.
- Do not burn the paint. Use the scraper and keep the nozzle at least 25 mm away from the painted surface. When working in a vertical direction, work downwards to prevent paint from falling into the tool and burning.
- Dispose of all paint debris safely and ensure that the work area is thoroughly cleaned after completing the work.

7 ASSEMBLY AND ADJUSTMENT



Prior to assembly and adjustment always unplug the tool

The air temperature can be adjusted to suit a wide range of applications. The table below suggests settings for different applications.






Setting	Applications
I	<ul style="list-style-type: none"> ■ Drying paint, varnish color shade samples, filler, adhesives, construction joints and stucco forms ■ Drying wet timber prior to filling ■ Removing stickers ■ Joining adhesives-Large-surface gluing with contact adhesives, activation of pressure-sensitive adhesives, acceleration of bonding processes, releasing of bonding points as well as releasing or bonding of edge band or veneer. ■ Waxing and de-waxing ■ Shrinking PVC wrapping and insulation tubes ■ Defrosting of icy stairs and steps, door locks, trunk lids, car doors or water pipes, as well as for defrosting refrigerators and ice boxes
II	<ul style="list-style-type: none"> ■ Welding of thermoplastic polymer, flooring materials of PVC and linoleum, PVC-coated fabric, tarpaulins and foils ■ Bending plastic pipes and sheets ■ Soldering plumbing joints, tin, special silver solder, SMD elements, cable lugs ■ Loosening rusted or tightly fastened nuts and bolts ■ Removing old and even thick coatings of oil paint , lacquer, varnish and synthetic plaster ■ Disinfection-With hot air of 600°C, you can quickly rid animal sties/stables of bacteria .Woodworm infestation can be controlled (Caution: Danger of fire! Do not heat up the wooden surface excessively).



If you are not sure about the correct setting, start with a low temperature setting and gradually increase the temperature until you achieve optimum results

7.1 Mounting the correct accessory (if applicable)

Icon	Description	Purpose
------	-------------	---------

	Glass protection nozzle	Protection windows when stripping frames
	Spoon reflector nozzle	Soldering pipes
	Cone nozzle	Welding, shrink sleeving (heat concentrated over small area)
	Fish tail surface nozzle	Drying, thawing (heat spread over wider area)
	Scraper	Stripping paint and varnish



- **Make sure that the tool is switched off and the nozzle has cooled down.**
- **Falling down nozzle can set an object on fire. Nozzles must be mounted firmly and secure on the unit.**
- **Touching a hot nozzle can lead to serious burns .Before attaching or replacing a nozzle, allow the unit to cool down completely or use a suitable tool.**
- **A hot nozzle can set a surface on fire. Place down hot nozzles only on fire-proof surfaces.**
- **An incorrect or defective nozzle can lead to heat accumulation and damage the unit. Use only original nozzles according to the table that are suitable for your unit.**

8 INSTRUCTIONS FOR USE

- Always observe the safety instructions and applicable regulations.
- Use only one hand to hold the tool, do not place your other hand over the air vents

Prior to operation :

- Mount the correct accessory for the application.
- Set the desired air temperature.

8.1 Switching on and off

- To switch the tool on, set the on/off switch to position I / II. Some smoke may be emitted after switching on; this does not indicate a problem.
- To switch the tool off, adjust the lowest temperature to cool off, then set the on/off switch to position 0. Let the tool cool down before moving or storing it.

8.2 Temperature and airflow settings.

- Turn ON/OFF Switch to I or II, and the heat gun will start to buzz.
- Turn ON/OFF Switch to II.
 - Increase or decrease the output temperature by clicking the Buttons ⑦,⑧.

Temperature adjusts at scale of 10°C.

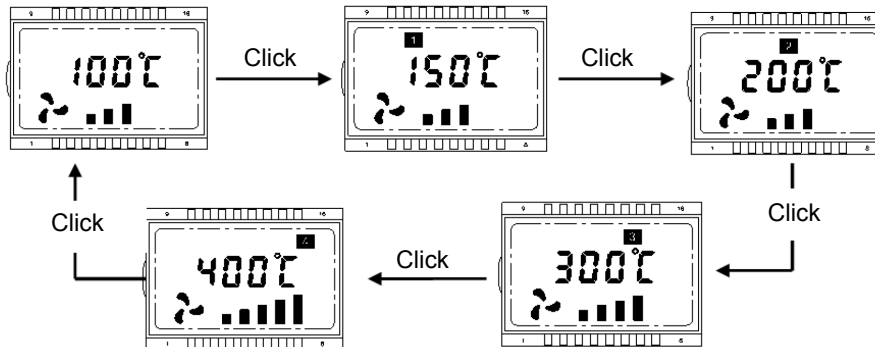
The Flasher 4.2 will keep flashing before output temperature reaches the setting temperature.

- Adjust air flow by clicking the Buttons ⑨,⑩.

- Turn ON/OFF Switch to I, the temperature is fixed at 50°C for cooling down.

8.3 Preset mode selection

- 4 preset modes are available for quick selection of temperature and airflow setting for most frequent and defined applications.
- Turn on the tool. Click the button the Mode Selection Button ⑥ to select one desired mode of preset temperature and air flow.



8.4 Preset mode input

- Select one preset mode according (see 8.3)
- Set desired temperature and airflow by clicking buttons ⑦,⑧, ⑨,⑩(see 8.2). During the process, the symbol of Preset Input (4.1) keeps flashing.
- Then keep the Storage Button ⑤ pressed for 2 seconds until the the symbol of Preset Input (4.1) disappear. The new temperature and airflow setting is stored into the preset mode for quick selction.

8.5 Stripping paint

- Mount an appropriate accessory.
- Set a high air temperature.
- Switch the tool on.
- Direct the hot air onto the paint to be removed.
- When the paint softens, scrape the paint away using a hand scraper.



Do not strip metal window frames, as the heat may be conducted onto the glass and crack it. When stripping other window frames, use the glass protection nozzle.



Do not keep the tool directed at one spot too long to prevent igniting the surface.



Avoid collecting paint on the scraper accessory, as it may ignite. If necessary, carefully remove paint debris from the scraper accessory using a knife.

8.6 Stationary use

This tool can also be used in stationary mode.

- Place the tool onto the workbench.
- Secure the cable to prevent pulling the tool off the workbench.
- Carefully switch the tool on.



Make sure that the nozzle always points away from you and any bystanders.

Make sure not to drop anything into the nozzle.

8.7 cooling down

The nozzle and accessory become very hot during use. Let them cool down before attempting to move or store the tool.

- To reduce the cooling time, switch the tool to position I which is at the lowest air temperature and adjust the air flow to Max. and let it run for a few minutes.
- Switch the tool off and let it cool down for at least 30 minutes before storage.

9 MAINTENANCE AND CLEANING



Attention! Before performing any work on the equipment, pull the power plug.

9.1 Maintenance

Your Power Tool has been designed to operate over a long period of time with a minimum of maintenance. Continuous satisfactory operation depends upon proper tool care and regular cleaning.

9.2 Lubrication

Your power tool requires no additional lubrication.

9.3 Cleaning

Keep the ventilation slots clear and regularly clean the housing with a soft cloth.

9.4 Cleaning

- Keep the ventilation slots of the machine clean to prevent overheating of the engine.
- Regularly clean the machine housing with a soft cloth, preferably after each use.
- Keep the ventilation slots free from dust and dirt.
- If the dirt does not come off use a soft cloth moistened with soapy water.



Never use solvents such as petrol, alcohol, ammonia water, etc. These solvents may damage the plastic parts.

10 TECHNICAL DATA

Voltage	220-240 V ~ 50HZ
Power supply	2000 W
Air temperature / Flow	I 50°C; 250-500L/min II 50-650°C; 250-500L/min

12 WARRANTY

- This product is warranted in accordance with the legal/country specific regulations, effective from the date of purchase by the first user.
- This warranty covers all material or production flaws. It does not include: defective parts subject to normal wear & tear, such as bearings, brushes, cables, plugs or accessories such as drills, drill bits, saw blades etc,; damage or defects resulting from abuse, accidents or alterations; nor the costs for transport.
- We reserve the right to reject any claim where the purchase cannot be verified or when it is clear that the product has not been properly maintained. (Clean ventilation slots, carbon brushers serviced regularly , ...)
- Your purchase receipt must be kept as proof of date of purchase.
- Your appliance must be returned un-dismantled to your dealer in an acceptably clean state, accompanied by your proof of purchase.

13 ENVIRONMENT



Should your appliance need replacement after extended use, do not discard it with the household rubbish but dispose of it in an environmentally safe way. Waste produced by electrical machine items should not be handled like normal household rubbish. Please recycle where facilities exist. Check with your Local Authority or retailer for recycling advice.

14 CONFORMITY

Confirms that this product, in the as brought into circulation through us, fulfils the requirements of the following EEC directives:

Directives:

Harmonized Standards:

EN 55014-1 , EN55014-2

EN 61000-3-2 , 61000-3-3

EN 60335-2-45

Subject to change without notice