

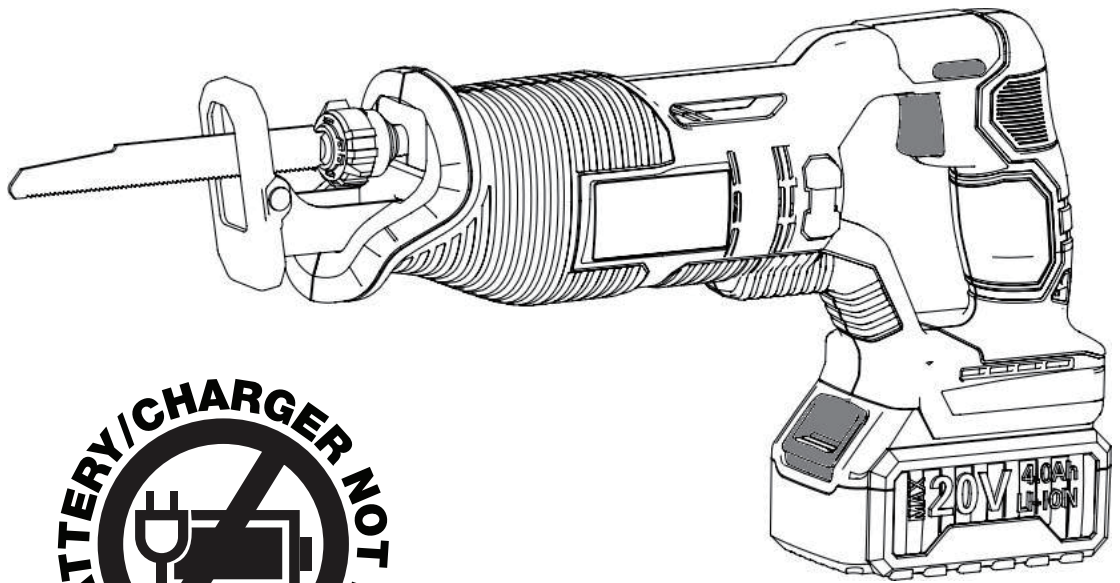
Model: ISAWRP-001

BRUSHLESS RECIPROCATING SAW

Adendorff
machinery mart

Kinway

OPERATING INSTRUCTIONS / USER MANUAL



DANGER! Read all safety regulations and instructions. Keep all safety regulations and instructions in a safe place for future use.



2025

E&OE Please Note that details and specifications contained herein, are correct at the time of publishing. Adendorff reserve the right to change specifications at any time without prior notification.

IMPORTANT SAFETY INFORMATION

Thank you for purchasing this quality product. We want to help you get the best results from your new equipment and to operate it safely.

This manual contains the information on how to do that; please read it carefully. You will need this manual for the safety warnings and precautions, operating, maintenance and cleaning procedures, parts list and assembly diagram. Keep your invoice with this manual. Write the invoice number on the inside of the front cover. Keep this manual and invoice in a safe and dry place for future reference.

This manual should be considered a permanent part of the product and should remain with it if it is resold.

SAFETY PRECAUTIONS

Your safety and the safety of those around you are of utmost importance. This manual includes essential safety messages—please read them carefully to ensure proper use and avoid potential hazards.

The failure to follow instructions may result in damage to your power tool, other property, or the environment.

Product Information & Disclaimer

All details and specifications provided in this publication are based on the latest available product information at the time of printing.

We reserve the right to make updates at any time without prior notice or obligation.

Reproduction of any part of this manual is prohibited without written permission.

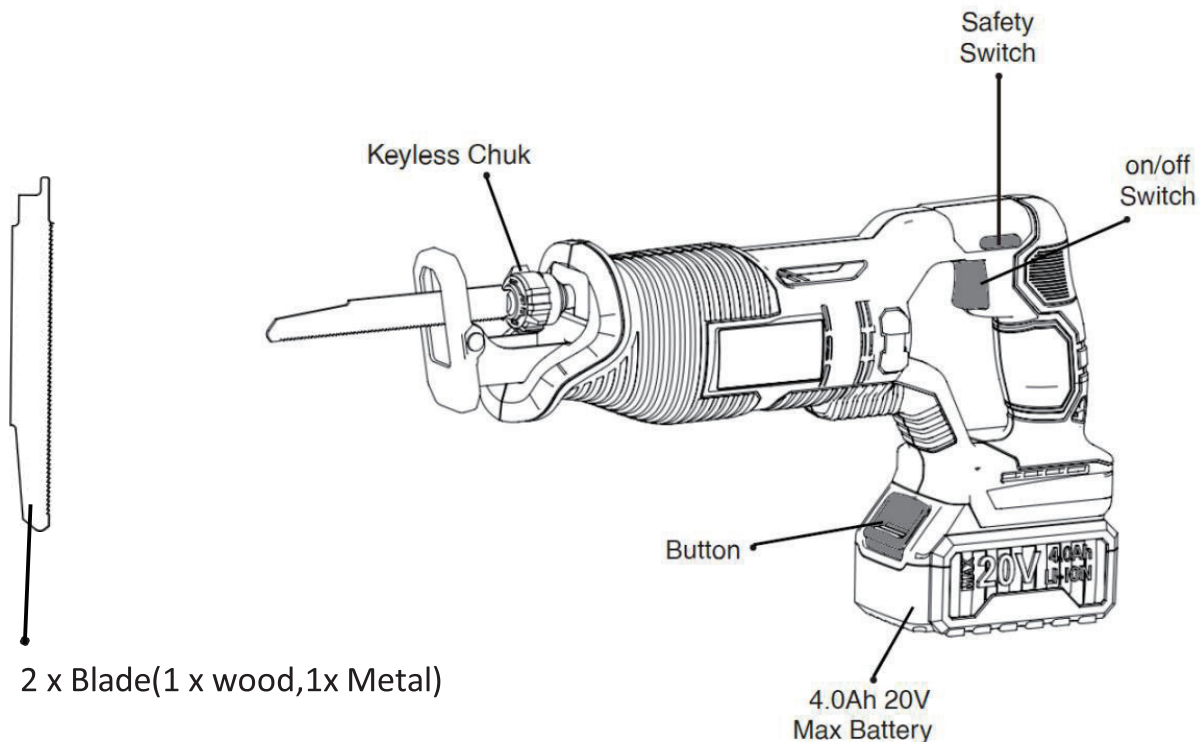
By following these safety guidelines, you can ensure the proper use of your equipment while protecting yourself, others, and your surroundings.

TECHNICAL SPECIFICATIONS

MODEL	ISAWRP-001
BATTERY VOLTAGE:	DC 20V
BATTERY TYPE:	Lithium-Ion
NO-LOAD RPM:	0 - 2500RPM
CUTTING DEPTH:	100mm (wood) 6mm (soft metal)
STROKE LENGTH:	22mm
MAX SAW CAPACITY IN WOOD:	100mm
MAX SAW CAPACITY IN SOFT METAL:	6mm
WEIGHT:	1.59kg

Please note that the accessories shown in this manual may either be included with the unit upon purchase or may not be available for sale or included at all. Additionally, certain key features depicted may not be standard. This manual is intended for reference purposes only.

PART LIST



INTENDED USE

The tool is specifically designed for sawing wood, plastic, and ferrous materials (materials containing iron, such as steel). Always ensure that the appropriate blade is installed for the material being worked with to achieve the best results and maintain safety during operation.

GENERAL POWER TOOL SAFETY RULES

WARNING!

Read and save all safety warnings and instructions carefully. Failure to follow these warnings may result in electric shock, fire, or serious injury. Keep all warnings and instructions for future reference. The term “power tool” in these warnings applies to both mains-operated (corded) and battery-operated (cordless) tools.

WORK AREA SAFETY

- **Keep the work area clean and well-lit.** Cluttered or poorly lit spaces increase the risk of accidents.
- **Avoid operating power tools in explosive atmospheres.** Do not use tools in environments with flammable liquids, gases, or dust, as power tools generate sparks that could ignite these substances.
- **Keep children and bystanders at a safe distance** while operating a power tool. Distractions can lead to a loss of control, increasing the risk of injury.

ELECTRICAL SAFETY

- **Ensure power tool plugs match the outlet.** Never modify the plug in any way or use adapter plugs with earthed (grounded) power tools. Properly matched, unmodified plugs and outlets reduce the risk of electric shock.
- **Avoid contact with earthed or grounded surfaces** such as pipes, radiators, ranges, and refrigerators. Contact with these surfaces increases the risk of electric shock.
- **Keep power tools away from rain or wet conditions.** Water entering a power tool significantly raises the risk of electric shock.
- **If using a power tool in a damp location is unavoidable,** ensure the power supply is protected by a **Ground Fault Circuit Interrupter (GFCI)**. A GFCI reduces the risk of electric shock in such conditions.

PERSONAL SAFETY

- **Stay alert and focused.** Always pay attention to what you are doing and use common sense when operating a power tool. Avoid using power tools if tired or under the influence of drugs, alcohol, or medication. A moment of inattention can result in serious personal injury.
- **Use appropriate personal protective equipment.** Always wear eye protection, and use additional protective equipment such as a dust mask, non-skid safety shoes, a hard hat, or hearing protection, depending on the conditions. These measures reduce the risk of injury.
- **Prevent unintentional starting.** Ensure the switch is in the OFF position before connecting the tool to a power source, attaching a battery pack, picking up, or carrying the tool. Carrying tools with your finger on the switch or connecting power while the tool is on increases the risk of accidental activation.
- **Remove all adjusting keys or wrenches before turning on the tool.** Leaving these attached to rotating parts can cause serious personal injury.
- **Maintain proper footing and balance.** Avoid overreaching, and always keep a stable stance to retain control of the tool in unexpected situations.
- **Dress appropriately.** Avoid wearing loose clothing or jewellery, and ensure long hair is tied back. Keep hair, clothing, and gloves away from moving parts to prevent entanglement.
- **Use dust extraction and collection systems if available.** Properly connecting and using these systems helps reduce dust-related hazards.

POWER TOOL USE AND CARE

- **Use the correct tool for the job.** Do not force the power tool to perform tasks it is not designed for. The appropriate power tool will complete the task more efficiently and safely when used as intended.
- **Ensure proper operation of the switch.** Do not use the power tool if the switch does not properly turn it on and off. A tool that cannot be controlled via the switch is hazardous and should be repaired before use.
- **Disconnect the power source before adjustments.** Always unplug the Tool or remove the battery pack before adjusting, changing accessories, or storing the tool. This precaution prevents accidental activation.
- **Store tools securely and out of reach of children.** Keep idle power tools in a safe location, away from children and individuals unfamiliar with their operation. Tools in the hands of untrained users can be dangerous.
- **Maintain tools.** Regularly inspect power tools for misalignment, binding of moving parts, breakage, or any condition that may affect their performance. Damaged tools should be repaired before use, as poorly maintained tools are a common cause of accidents.
- **Keep cutting tools sharp and clean.** Properly maintained and sharp cutting edges reduce the likelihood of binding and make the tool easier to control.
- **Follow the tool's instructions and intended use.** Use the power tool, accessories, and bits according to the provided instructions and the conditions of the task. Using tools for unintended applications can lead to hazardous situations.

BATTERY TOOL USE AND CARE

- **Recharge only with the charger specified by the manufacturer.** Using a charger designed for a different battery pack may pose a risk of fire or damage to the battery.
- **Use designated battery packs.** Operate power tools only with the specific battery packs recommended by the manufacturer. Using other battery packs may result in injury or fire.
- **Store battery packs safely.** When not in use, keep the battery pack away from metal objects such as paper clips, coins, keys, nails, or screws. These items can create a connection between terminals, potentially causing burns or a fire.
- **Handle leaking batteries with care.** Under abusive conditions, liquid may leak from the battery:
 - Avoid contact with the liquid.**
 - If accidental contact occurs, flush the area with water.
 - If the liquid enters the eyes, rinse thoroughly with clean water for at least 10 minutes and seek medical attention.
 - Battery liquid may cause irritation or burns.

SERVICE

- **Use qualified service professionals.** Always have power tools serviced by a qualified repair technician at Adendorff Machinery Mart www.adendorff.co.za, ensuring that only identical replacement parts are used. This guarantees the safety and performance of the tool.
- **Adhere to maintenance guidelines.** Follow the manufacturer's instructions for lubrication and accessory changes to maintain the tool's functionality and longevity.
- **Maintain cleanliness.** Keep handles and external surfaces dry, clean, and free from oil and grease. A clean tool provides better grip and reduces the risk of slipping during use.

SAVE THESE INSTRUCTIONS

These safety instructions will help ensure safe and effective operation of the tool.

WARNING

- **DO NOT** let comfort or familiarity with the product (gained from repeated use) replace strict adherence to safety rules for the subject product. **MISUSE** or failure to follow the safety rules stated in this instruction manual may cause serious personal injury.
- It's essential to remain vigilant and prioritize safety every time the tool is used, regardless of the level of experience. Always follow the instructions and safety guidelines to avoid accidents and injuries.

BRUSHLESS RECIPROCATING SAW SAFETY

WARNINGS

- Hold the power tool by insulated gripping surfaces when performing an operation where the cutting accessory may contact hidden wiring. If the cutting accessory contacts a "live" wire, exposed metal parts of the power tool may become energized, and this could result in an electric shock to the operator.
- Use clamps or another practical way to secure and support the workpiece on a stable platform. Holding the work by hand or against your body leaves it unstable and may cause loss of control of the tool.
- Always use safety glasses or goggles. Ordinary eye or sunglasses are NOT considered safety glasses.
- Avoid cutting nails. Inspect the workpiece for any nails and remove them before operation to prevent damage to the blade.
- Do not cut oversize workpieces.
- Ensure proper clearance beyond the workpiece before cutting so that the blade will not strike the floor, workbench, or other obstructions.
- Hold the tool firmly with both hands for maximum control.
- Make sure the blade is not in contact with the workpiece before turning on the tool.
- Keep hands away from all moving parts during operation.
- Do not leave the tool running unattended. Always operate the tool when hand-held.
- Always switch off the tool and wait for the blade to come to a complete stop before removing the blade from the workpiece.
- Do not touch the blade or workpiece immediately after operation as they may be extremely hot and could cause burns.
- Avoid operating the tool at no-load unnecessarily as it can cause excessive wear and increase the risk of injury.
- Always use the correct dust mask or respirator for the material and application being worked with to avoid inhaling harmful particles.
- Some materials contain chemicals that may be toxic. Always take precautions to prevent inhalation of dust or skin contact. Follow the safety data provided by the material supplier.

NOTE

- The declared vibration emission value has been measured in accordance with the standard test method and may be used for comparing one tool with another.
- The declared vibration emission value may also be used in a preliminary assessment of exposure. Always consider vibration exposure when using the tool for prolonged periods to minimize any health risks associated with vibration.

WARNING

- The vibration emission during actual use of the power tool can differ from the declared emission value depending on the ways in which the tool is used. Factors such as the type of material being cut, the working conditions, and how the tool is handled can influence vibration levels. Always consider these variables when evaluating potential vibration exposure.

WARNING

- Be sure to identify safety measures to protect the operator based on an estimation of exposure in the actual conditions of use. This includes considering all parts of the operating cycle, such as:
- The times when the tool is switched off
- When the tool is running idle
- The trigger time (active operation)
- By considering these factors, one can better assess the exposure to vibration and implement appropriate safety measures, such as:
- Using vibration-reducing gloves or handles
- Reducing the time of continuous tool use
- Regular breaks for the operator to minimize vibration exposure
- Ensuring proper ergonomics and work practices
- These measures will help mitigate the risks associated with vibration exposure during actual use.

IMPORTANT SAFETY INSTRUCTIONS FOR BATTERY CARTRIDGE

- **Read all instructions and cautionary markings.** Before using the battery cartridge, carefully review the instructions and safety warnings provided for the:

Battery charger	Battery	Product using the battery
-----------------	---------	---------------------------
- **Do not disassemble the battery cartridge.** Disassembly can result in safety hazards or damage.
- **Discontinue use if operating time shortens significantly.** If the battery's operating time becomes excessively shorter, stop using it immediately. Continued operation may lead to overheating, burns, or even an explosion.
- **Handle electrolyte exposure with care.** If electrolyte comes into contact with your eyes:
 - Rinse them thoroughly with clear water for at least 10 minutes.
 - Seek medical attention immediately. Electrolyte can cause severe irritation or potential loss of eyesight.

DO NOT SHORT THE BATTERY CARTRIDGE

- **Avoid contact with terminals.** Do not touch the terminals of the battery cartridge with any conductive material.
- **Store the battery safely.** Do not store the battery cartridge in containers with other metal objects, such as nails, coins, or screws, to prevent accidental short circuits.
- **Protect from moisture.** Keep the battery cartridge away from water or rain. A short circuit caused by exposure to moisture can result in a large current flow, overheating, burns, or even battery failure.
- **Store in proper conditions.** Do not store the tool or battery cartridge in locations where the temperature may exceed 50°C (122°F).
- **Do not incinerate.** Never burn the battery cartridge, even if it is severely damaged or completely worn out. Incineration can cause the battery to explode.
- **Handle with care.** Avoid dropping or striking the battery cartridge to prevent internal damage.
- **Inspect before use.** Do not use a damaged battery cartridge under any circumstances.

TIPS FOR MAINTAINING MAXIMUM BATTERY LIFE

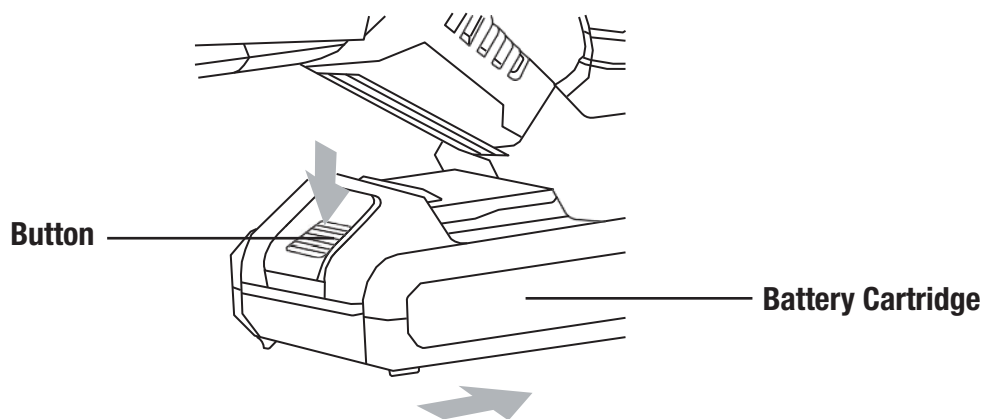
- **Charge before complete discharge.** Stop using the tool and recharge the battery cartridge as soon as reduced power is noticed. Avoid fully depleting the battery to prolong its lifespan.
- **Do not overcharge.** Avoid recharging a fully charged battery cartridge. Overcharging can reduce the battery's service life.
- **Charge within the recommended temperature range.** Ensure the battery cartridge is charged in an environment with a temperature between 10°C - 40°C (50°F - 104°F). Allow the battery cartridge to cool down if it is hot before recharging.

IMPORTANT CHARGING NOTES

- **Do not store in locations where the temperature may exceed 40°C:** Ensure that the tool is stored in a cool, dry place.
- **Charge only at ambient temperatures between 4°C and 40°C:** Charging outside this range can cause damage to the battery.
- **Charge only using the charger provided with the tool:** Other chargers may use different amperages that can damage or destroy the battery and/or tool.
- **Unplug charger before attempting to clean:** Always unplug the charger before cleaning to prevent electric shock or damage to the charger.
- **Do not immerse the charger in water or any other liquid:** Avoid getting the charger wet to prevent electric shock or damage.

INSTALLING OR REMOVING BATTERY CARTRIDGE

- **To remove the battery cartridge:** Slide the red button on the front of the cartridge and carefully withdraw it from the tool.
- **To insert the battery cartridge:** Align the tongue of the battery cartridge with the groove in the tool's housing. Slide the cartridge into place, ensuring it is inserted all the way until it locks in with a distinct click.
- **Avoid using force:** If the battery cartridge does not slide in easily, it is not aligned correctly. Check the alignment and try again.



BATTERY CHARGER OPERATION

Power off before connecting. Ensure the power source switch is turned **OFF** before plugging in the battery charger.

Review the instruction manual. Familiarize yourself with the entire manual before beginning any operation.

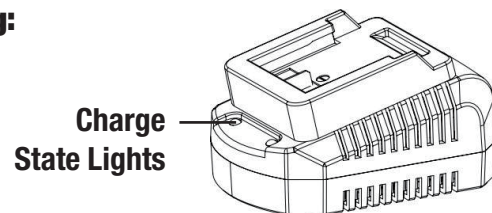
Insert the battery correctly. Align the terminals on the battery with those on the charger and slide the battery into place. It will lock securely with an audible click!

Plug in the battery charger then turn **ON** the power source

The charge state lights will indicate the following:

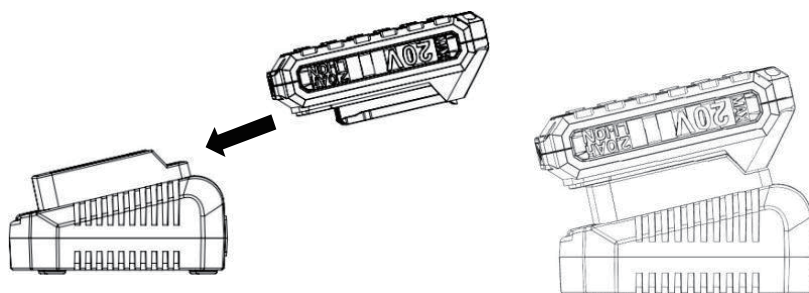
SOLID RED = Charging

SOLID GREEN = Fully Charged



NOTE:

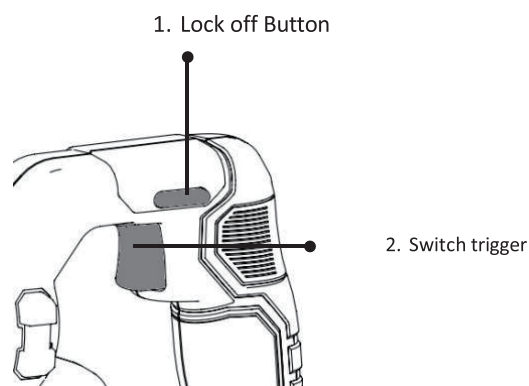
To remove the battery: Press the **Battery Release Button** while gently pulling the battery away from the charger.



SWITCH ACTION

CAUTION:

- **Check the switch trigger.** Before inserting the battery cartridge into the tool, ensure the switch trigger functions correctly and returns to the **OFF** position when released.
- **Verify rotation direction.** Always confirm the tool's direction of rotation before beginning operation.
- **Use the reversing switch correctly.** Only activate the reversing switch. After the tool has come to a complete stop, changing the direction while the tool is running may cause damage.
- **Set to neutral when idle.** When the tool is not in use, always place the reversing switch lever in the neutral position to prevent accidental activation.

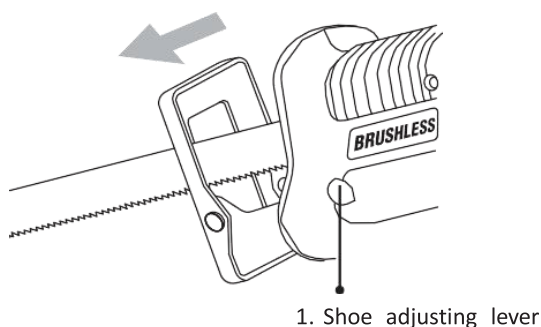


CAUTION

- **Do not look directly into the light or at the source of light.** Pull the switch trigger to turn on the lamp. The lamp will remain on while the switch trigger is being pulled, and will go off once the trigger is released.
- **Use a dry cloth to wipe any dirt off the lens of the lamp.** Be careful not to scratch the lens, as this could reduce the illumination.

ADJUSTING THE SHOE

- When the reciprocating saw blade loses its cutting ability in one area along its edge, reposition the shoe to utilize a sharp, unused portion of the blade. This will help extend the life of the blade.
- The shoe position can be adjusted in four levels. To reposition the shoe, open the shoe adjusting lever, select the appropriate position, and then close the lever to secure it.



NOTE

- The shoe cannot be adjusted unless the shoe adjusting lever is fully opened. Ensure the lever is fully opened before attempting to reposition the shoe.

ASSEMBLY

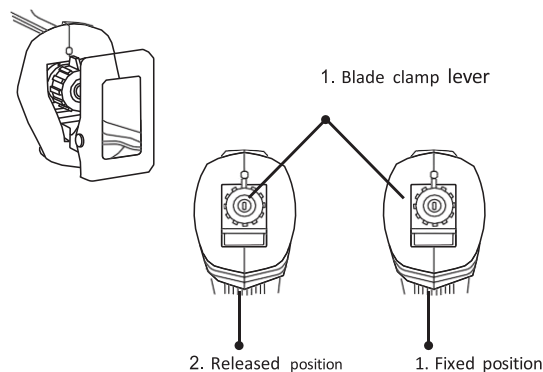
CAUTION

Always ensure that the tool is switched off and the battery cartridge is removed before performing any work on the tool. This will help prevent accidental activation and ensure safety during maintenance or adjustments.

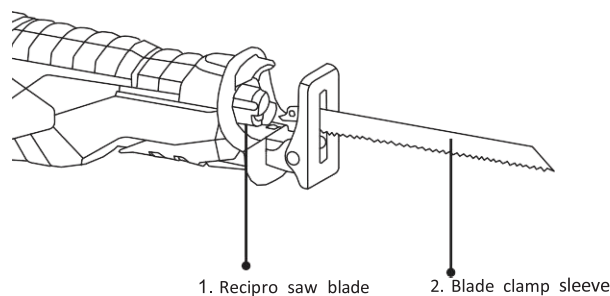
INSTALLING OR REMOVING THE RECIPRO SAW BLADE

CAUTION

- Always clean out all chips or foreign matter adhering to the blade and around the blade clamp. Failure to do so may cause tightening of the blade, resulting in serious injury.
- To install the reciprocating saw blade, ensure that the blade clamp lever (part of the blade clamp sleeve) is in the released position on the insulation cover before inserting the blade. If the blade clamp lever is in a locked position, rotate the blade clamp lever in the direction of the arrow to release it and allow the blade to be securely locked in place.

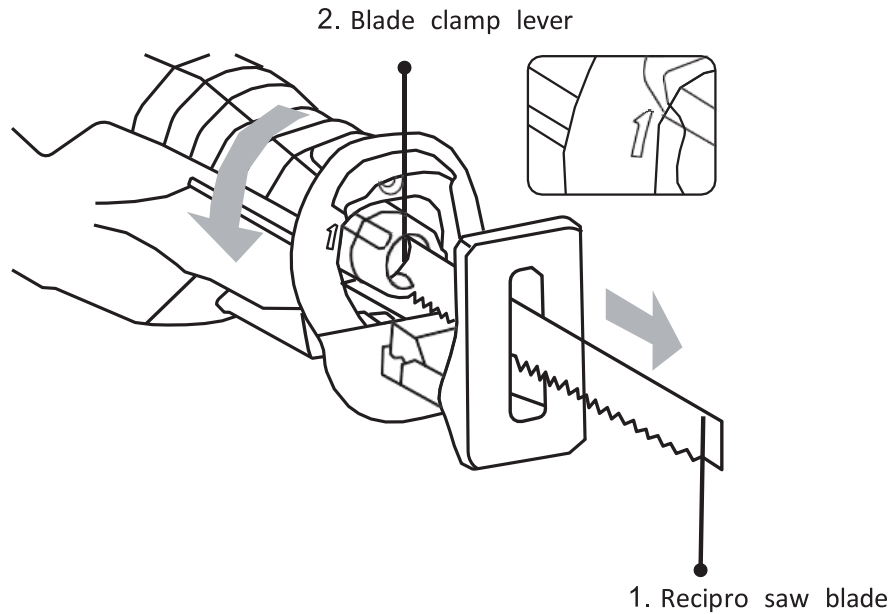


Insert the reciprocating saw blade into the blade clamp as far as it will go. The blade clamp sleeve will rotate to secure the blade. Ensure that the blade is locked in place and cannot be extracted, even if trying to pull it out. This ensures that the blade is securely installed and ready for use.



CAUTION

- If the reciprocating saw blade is not inserted deeply enough, the blade may be ejected unexpectedly during operation, which can be extremely dangerous.
- To remove the reciprocating saw blade, rotate the blade clamp lever fully in the direction of the arrow. This will release the blade, and the blade clamp lever will return to the released position. Always ensure the blade is properly secured before operating the tool.



CAUTION:

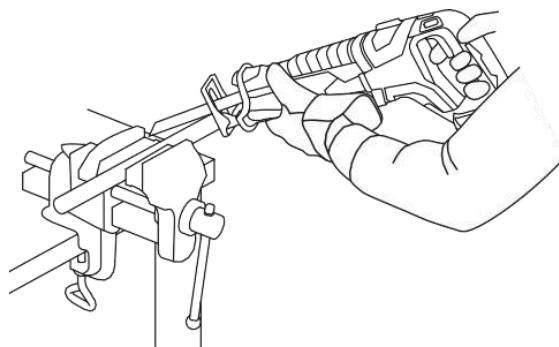
- Always ensure that the lever is fully engaged during the switching operation. Failure to do so may result in personal injuries. Properly secure all components before using the tool to prevent accidents and ensure safe operation.

NOTE

- If the reciprocating saw blade is removed without fully rotating the blade clamp lever, the lever may not be locked in the released position. In this case, rotate the blade clamp lever fully again, and ensure that the blade clamp lever is locked at the released position.
- Before installing or removing the reciprocating saw blade, always make sure to remove the battery cartridge from the tool. This ensures that the tool cannot accidentally start while working with the blade. Always follow these safety steps to avoid injury.

OPERATION CAUTION

- Always ensure the shoe is pressed firmly against the workpiece during operation. If the shoe is removed or held away from the workpiece, it will cause strong vibrations and twisting, potentially causing the blade to snap, which can be dangerous.
- Wear protective gloves when handling metal to prevent injury, and always wear suitable eye protection that conforms to current national standards to safeguard eyes from debris and sparks.
- When cutting metal, always use a suitable coolant such as cutting oil to prevent premature blade wear and ensure smoother cutting. Do not neglect this step, as it is essential for maintaining the tool's performance and longevity.
- Press the shoe firmly against the workpiece and avoid letting the tool bounce during operation. Start by making a pilot groove at a slower speed, then continue cutting at a faster speed for optimal results.



GENERAL INSPECTION

- **BEFORE EACH USE:**
Inspect the general condition of the tool thoroughly. Check for:
 - Leaking, swollen, or cracked battery pack.
 - Loose hardware.
 - Misalignment or binding of moving parts.
 - Cracked or broken parts.
 - Any other condition that may compromise safe operation.

MAINTENANCE

CAUTION:

- **Ensure safety before maintenance:** Always switch off the tool and remove the battery cartridge before performing any inspection or maintenance.
- **Avoid harmful substances:** Do not use petrol, diesel, benzene, thinner, alcohol, or similar substances for cleaning. These chemicals can cause discoloration, deformation, or cracks in the tool's materials.

NOTE:

- **Authorized repairs only:** To ensure product safety and reliability, all repairs, maintenance, or adjustments should be performed exclusively by Adendorff Machinery Mart Authorized Service Centers.
- **Use genuine parts:** Always use Adendorff Machinery Mart-approved replacement parts to maintain the tool's performance and warranty coverage.

STORAGE

- **Keep the tool stored in a dry, level area,** away from dampness, moisture, and rainfall.
- **Allow the tool to cool down completely before storing.**
- **Ensure the tool is clean and dry before storage.**
- **Store the tool in a position where it cannot be accidentally stepped on or moved,** especially to reach higher items.

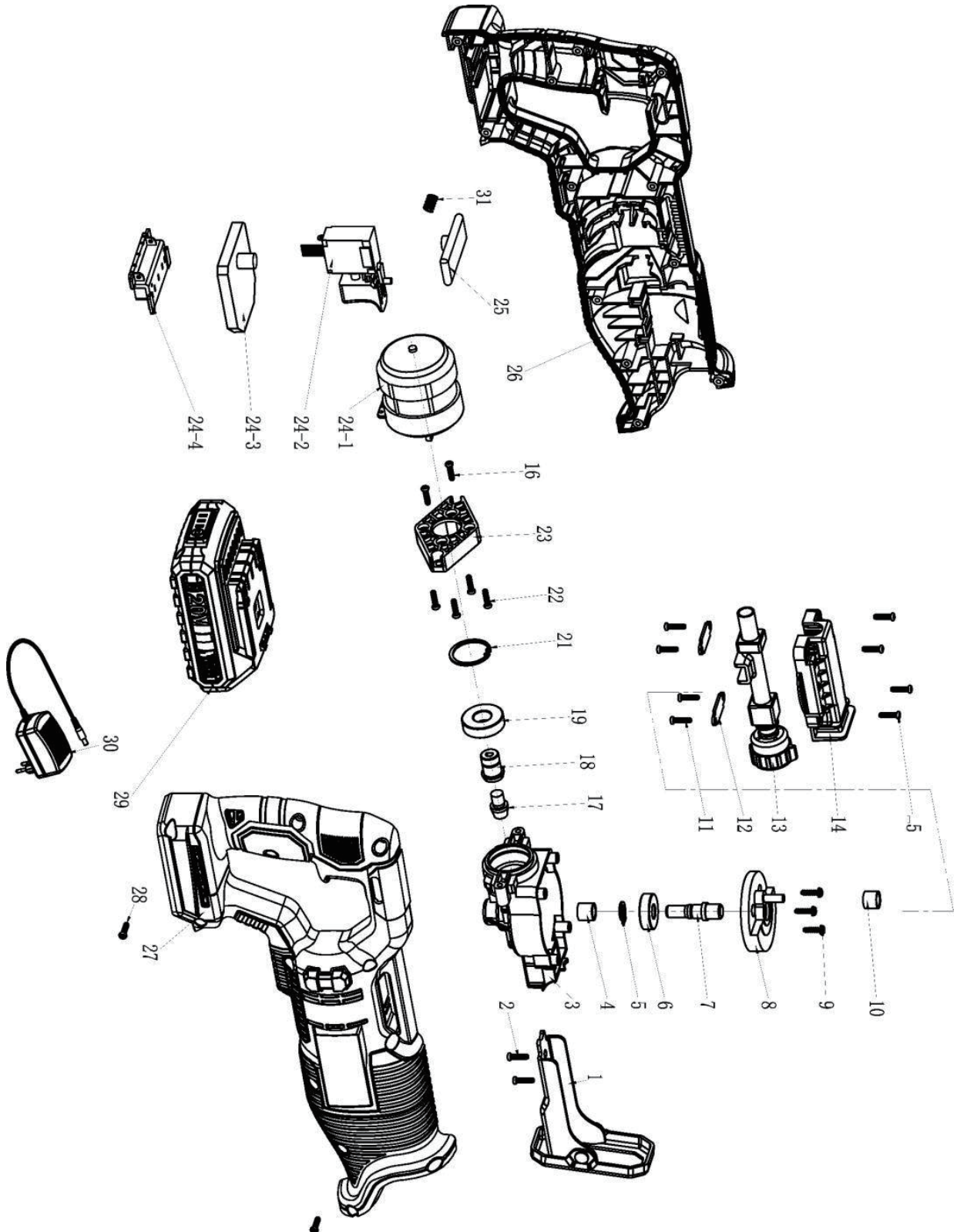
DO NOT:

- **Do not store the tool near an ignition source,** such as a wood stove, gas or electric heater, or any appliance with a pilot light.
- **Do not stack heavy or other items on top of the tool during storage.**

IMPORTANT:

- **Store the tool out of reach of children or individuals unfamiliar with its operation.**
- **Avoid direct sunlight or extreme temperatures. Store the tool indoors or in a safe, frost-free area**

PARTS LIST ISAWRP-001



PARTS LIST ISAWRP-001

No.	Description
1	Baseplate Assy
2	Screw
3	Gear Box
4	Bearing
5	Stop Ring
6	Bearing
7	Gear Sheft
8	Big Gear
9	Screw
10	Shaft Sleeve
11	Screw
12	Pressing Plate
13	Reciprocating Lever Assy
14	Bear Box Cover
15	Screw
16	Screw
17	Samll Gear
18	Connect Knot
19	Bearing
21	Stop Ring
22	Screw
23	Motor Support
24-1	Motor Assy
24-2	Switch Assy
24-3	Control Board
24-4	Battery Pack Pin
25	Switch Lock Knob
26	Left Housing
27	Right Housing
28	Screw
29	Battery Pack (Sold Seperately)
30	Charger (Sold Seperately)
31	Spring

WARRANTY TERMS & CONDITIONS

WARRANTY PERIOD

- This product is warranted for 12 months from the date of purchase by the first user.

COVERAGE

- The warranty covers all material or production flaws, with exceptions:
- Batteries and chargers
- Parts subject to normal wear (e.g., bearings, brushes, cables, plugs)
- Accessories (e.g., drill bits, saw blades)

EXCLUSIONS

The warranty does not cover damage or defects from:

- Maltreatment, accidents, or alterations
- Inappropriate or negligent use of the tool
- Overloading, fluid permeation, excessive dust, or intentional damage
- Non-compliance with manual instructions, inexperienced assembly, lightning, or incorrect voltage

LIABILITY

- Adendorff Machinery Mart disclaims liability for bodily injury resulting from improper tool use.

REPAIRS

- All Warranty repairs must be conducted by an authorized Adendorff Machinery Mart repair center. All stores have in-house service technicians.

TRANSPORTATION COSTS

- Transportation costs for service are the customer's responsibility unless otherwise agreed in writing.

WARRANTY CLAIMS

- All Warranty claims do not extend or restart the warranty period.
- Claims may be rejected if purchase cannot be verified or if product maintenance is found to be lacking.
- A 3-month (Three Months) warranty applies to any repairs performed.

MAINTENANCE AND PROOF OF PURCHASE

- Maintain the product as instructed (e.g., clean ventilation slots, service carbon brushes regularly).
- Retain the purchase receipt as proof of purchase date.

RETURN CONDITIONS

- Return the product intact, in clean condition, and in its original blow-molded case (if applicable), along with proof of purchase.

For full warranty details, visit www.adendorff.co.za. For assistance, contact the national call centre at 011 434 7000.



 **Kinway**

Supplied By

Adendorff
machinery mart