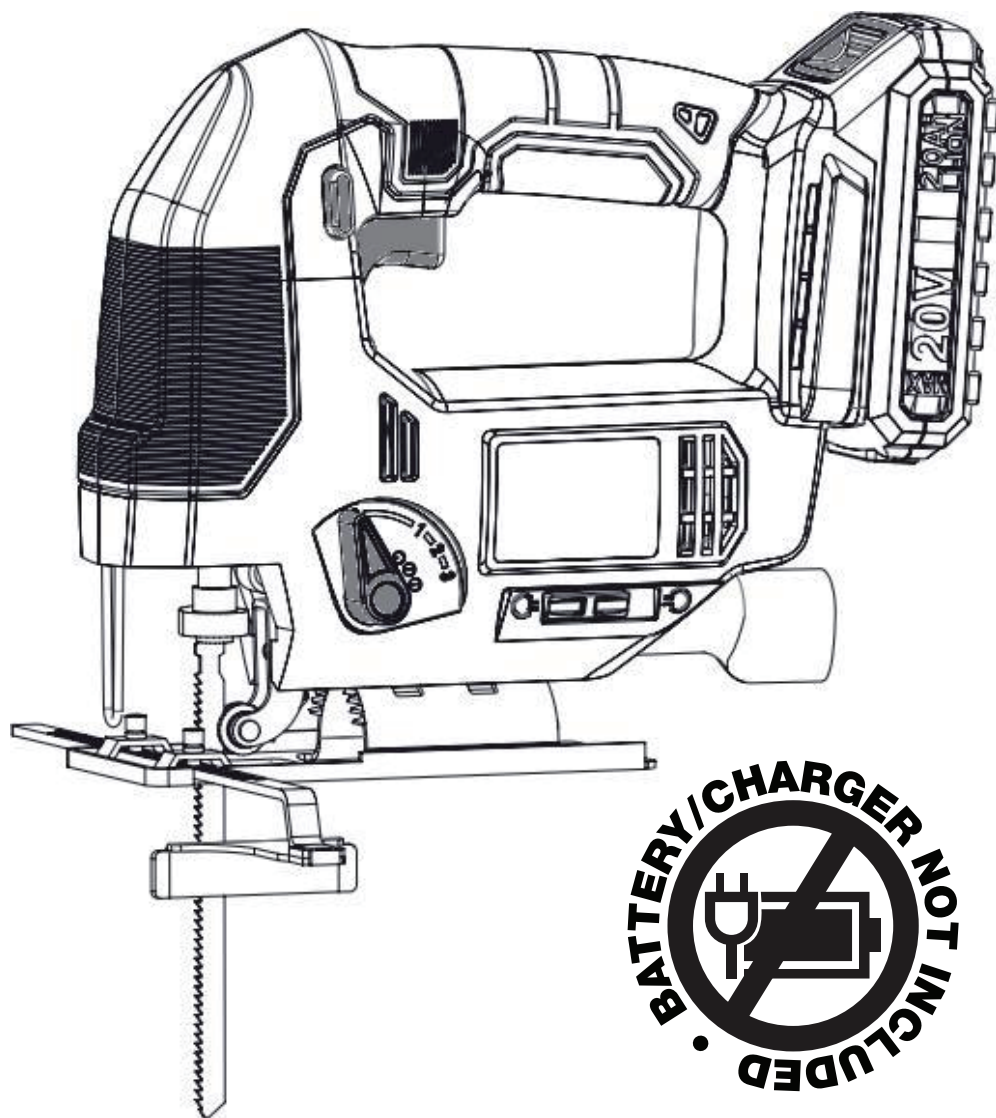


**OPERATING INSTRUCTIONS / USER MANUAL**



**DANGER! Read all safety regulations and instructions. Keep all safety regulations and instructions in a safe place for future use.**



**2025**

E&OE Please Note that details and specifications contained herein, are correct at the time of publishing. Adendorff reserve the right to change specifications at any time without prior notification.

Model: ISAWJG-001

**CORDLESS JIG SAW**

## **IMPORTANT SAFETY INFORMATION**

**Thank you for purchasing this quality product. We want to help you get the best results from your new equipment and to operate it safely.**

**This manual contains the information on how to do that; please read it carefully. You will need this manual for the safety warnings and precautions, operating, maintenance and cleaning procedures, parts list and assembly diagram. Keep your invoice with this manual. Write the invoice number on the inside of the front cover. Keep this manual and invoice in a safe and dry place for future reference.**

**This manual should be considered a permanent part of the product and should remain with it if it is resold.**

## **SAFETY PRECAUTIONS**

**Your safety and the safety of those around you are of utmost importance. This manual includes essential safety messages—please read them carefully to ensure proper use and avoid potential hazards.**

**The failure to follow instructions may result in damage to your power tool, other property, or the environment.**

### **Product Information & Disclaimer**

**All details and specifications provided in this publication are based on the latest available product information at the time of printing.**

**We reserve the right to make updates at any time without prior notice or obligation.**

**Reproduction of any part of this manual is prohibited without written permission.**

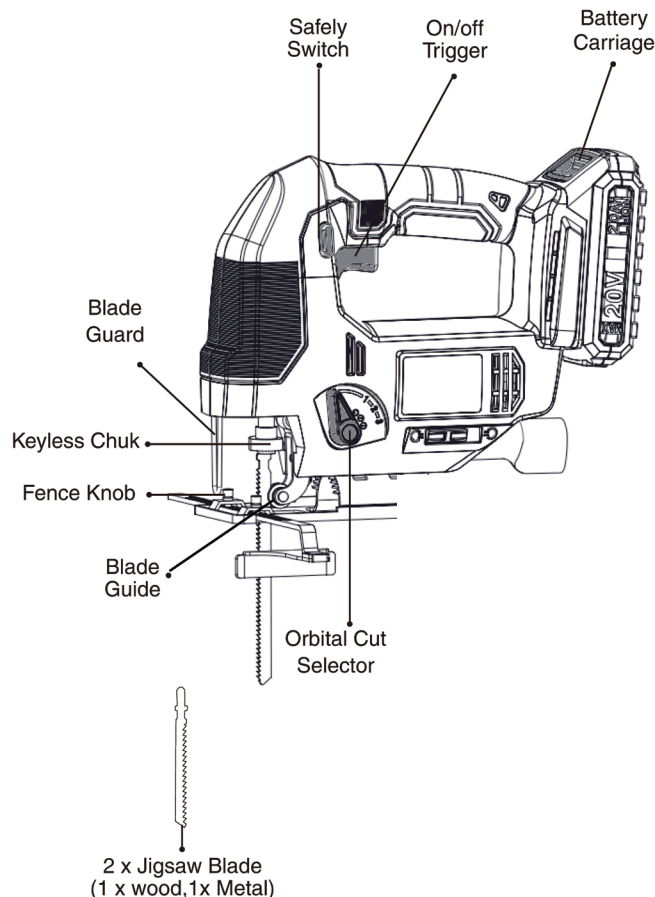
**By following these safety guidelines, you can ensure the proper use of your equipment while protecting yourself, others, and your surroundings.**

## TECHNICAL SPECIFICATIONS

MODEL	ISAWJG-001
<b>BATTERY VOLTAGE:</b>	DC 20V
<b>BATTERY TYPE:</b>	Lithium-Ion
<b>NO-LOAD RPM:</b>	0 - 2500RPM
<b>MAX SAW CAPACITY IN WOOD:</b>	65mm
<b>MAX SAW CAPACITY IN STEEL:</b>	8mm
<b>MAX SAW CAPACITY IN PLASTIC:</b>	20mm
<b>WEIGHT:</b>	1.45kg
<b>INCLUDES:</b>	1 Piece Guide Ruler
	1 Piece Wood Saw Blade
	1 Piece Metal Saw Blade
	1 Piece Allen Key

Please note that the accessories shown in this manual may either be included with the unit upon purchase or may not be available for sale or included at all. Additionally, certain key features depicted may not be standard. This manual is intended for reference purposes only.

## PART LIST



# GENERAL POWER TOOL SAFETY RULES

## WARNING!

**Read and save all safety warnings and instructions carefully. Failure to follow these warnings may result in electric shock, fire, or serious injury. Keep all warnings and instructions for future reference. The term “power tool” in these warnings applies to both mains-operated (corded) and battery-operated (cordless) tools.**

## WORK AREA SAFETY

- **Keep the work area clean and well-lit.** Cluttered or poorly lit spaces increase the risk of accidents.
- **Avoid operating power tools in explosive atmospheres.** Do not use tools in environments with flammable liquids, gases, or dust, as power tools generate sparks that could ignite these substances.
- **Keep children and bystanders at a safe distance** while operating a power tool. Distractions can lead to a loss of control, increasing the risk of injury.

## ELECTRICAL SAFETY

- **Ensure power tool plugs match the outlet.** Never modify the plug in any way or use adapter plugs with earthed (grounded) power tools. Properly matched, unmodified plugs and outlets reduce the risk of electric shock.
- **Avoid contact with earthed or grounded surfaces** such as pipes, radiators, ranges, and refrigerators. Contact with these surfaces increases the risk of electric shock.
- **Keep power tools away from rain or wet conditions.** Water entering a power tool significantly raises the risk of electric shock.
- **If using a power tool in a damp location is unavoidable,** ensure the power supply is protected by a **Ground Fault Circuit Interrupter (GFCI)**. A GFCI reduces the risk of electric shock in such conditions.

## PERSONAL SAFETY

- **Stay alert and focused.** Always pay attention to what you are doing and use common sense when operating a power tool. Avoid using power tools if tired or under the influence of drugs, alcohol, or medication. A moment of inattention can result in serious personal injury.
- **Use appropriate personal protective equipment.** Always wear eye protection, and use additional protective equipment such as a dust mask, non-skid safety shoes, a hard hat, or hearing protection, depending on the conditions. These measures reduce the risk of injury.
- **Prevent unintentional starting.** Ensure the switch is in the OFF position before connecting the tool to a power source, attaching a battery pack, picking up, or carrying the tool. Carrying tools with your finger on the switch or connecting power while the tool is on increases the risk of accidental activation.
- **Remove all adjusting keys or wrenches before turning on the tool.** Leaving these attached to rotating parts can cause serious personal injury.
- **Maintain proper footing and balance.** Avoid overreaching, and always keep a stable stance to retain control of the tool in unexpected situations.
- **Dress appropriately.** Avoid wearing loose clothing or jewellery, and ensure long hair is tied back. Keep hair, clothing, and gloves away from moving parts to prevent entanglement.
- **Use dust extraction and collection systems if available.** Properly connecting and using these systems helps reduce dust-related hazards.

## POWER TOOL USE AND CARE

- **Use the correct tool for the job.** Do not force the power tool to perform tasks it is not designed for. The appropriate power tool will complete the task more efficiently and safely when used as intended.
- **Ensure proper operation of the switch.** Do not use the power tool if the switch does not properly turn it on and off. A tool that cannot be controlled via the switch is hazardous and should be repaired before use.
- **Disconnect the power source before adjustments.** Always unplug the Tool or remove the battery pack before adjusting, changing accessories, or storing the tool. This precaution prevents accidental activation.
- **Store tools securely and out of reach of children.** Keep idle power tools in a safe location, away from children and individuals unfamiliar with their operation. Tools in the hands of untrained users can be dangerous.
- **Maintain tools.** Regularly inspect power tools for misalignment, binding of moving parts, breakage, or any condition that may affect their performance. Damaged tools should be repaired before use, as poorly maintained tools are a common cause of accidents.
- **Keep cutting tools sharp and clean.** Properly maintained and sharp cutting edges reduce the likelihood of binding and make the tool easier to control.
- **Follow the tool's instructions and intended use.** Use the power tool, accessories, and bits according to the provided instructions and the conditions of the task. Using tools for unintended applications can lead to hazardous situations.

## BATTERY TOOL USE AND CARE

- **Recharge only with the charger specified by the manufacturer.** Using a charger designed for a different battery pack may pose a risk of fire or damage to the battery.
- **Use designated battery packs.** Operate power tools only with the specific battery packs recommended by the manufacturer. Using other battery packs may result in injury or fire.
- **Store battery packs safely.** When not in use, keep the battery pack away from metal objects such as paper clips, coins, keys, nails, or screws. These items can create a connection between terminals, potentially causing burns or a fire.
- **Handle leaking batteries with care.** Under abusive conditions, liquid may leak from the battery:
  - Avoid contact with the liquid.**
    - If accidental contact occurs, flush the area with water.
    - If the liquid enters the eyes, rinse thoroughly with clean water for at least 10 minutes and seek medical attention.
  - Battery liquid may cause irritation or burns.

## SERVICE

- **Use qualified service professionals.** Always have power tools serviced by a qualified repair technician at Adendorff Machinery Mart [www.adendorff.co.za](http://www.adendorff.co.za), ensuring that only identical replacement parts are used. This guarantees the safety and performance of the tool.
- **Adhere to maintenance guidelines.** Follow the manufacturer's instructions for lubrication and accessory changes to maintain the tool's functionality and longevity.
- **Maintain cleanliness.** Keep handles and external surfaces dry, clean, and free from oil and grease. A clean tool provides better grip and reduces the risk of slipping during use.

# SAVE THESE INSTRUCTIONS

**These safety instructions will help ensure safe and effective operation of the tool.**

## **WARNING**

- **DO NOT** let comfort or familiarity with the product (gained from repeated use) replace strict adherence to safety rules for the subject product. **MISUSE** or failure to follow the safety rules stated in this instruction manual may cause serious personal injury.
- It's essential to remain vigilant and prioritize safety every time the tool is used, regardless of the level of experience. Always follow the instructions and safety guidelines to avoid accidents and injuries.

# CORDLESS JIG SAW SAFETY

## **TOOL PURPOSE AND SAFE USE**

- **Use clamps or secure the workpiece properly:** Always use clamps or another practical method to secure and support the workpiece to a stable platform. Holding the work by hand or against the body is unstable and may lead to loss of control.
- **Do not force the tool:** Always use the correct tool for your application. The right tool will do the job better and safer at the rate for which it is designed.
- **Ensure the switch is functioning properly:** Do not use the tool if the switch does not turn it on or off. A tool that cannot be controlled with the switch is dangerous and must be repaired.
- **Disconnect the battery or turn off the tool before adjustments:** Always disconnect the battery pack from the tool or place the switch in the locked or off position before making any adjustments, changing accessories, or storing the tool. This will help reduce the risk of accidentally starting the tool.
- **Store tools safely:** Keep idle tools out of reach of children and untrained persons. Tools are dangerous in the hands of untrained users.
- **Keep the battery away from metal objects:** When the battery pack is not in use, keep it away from other metal objects like paper clips, coins, keys, nails, screws, or other small metal objects that can cause a short circuit. Shorting the battery terminals together can result in sparks, burns, or even a fire.
- **Maintain the tool properly:** Keep cutting tools sharp and clean. Properly maintained tools with sharp cutting edges are less likely to bind and are easier to control.
- **Check for any damage or misalignment:** Always check for misalignment, binding of moving parts, or breakage of parts that could affect the tool's operation. If any damage is found, have the tool serviced before use. Many accidents are caused by poorly maintained tools.
- **Use only recommended accessories:** Use only accessories that are recommended by the manufacturer for your model. Accessories that are suitable for one tool may create a risk of injury when used on another tool. tion and common sense while using the tool.

## IMPORTANT SAFETY INSTRUCTIONS FOR BATTERY CARTRIDGE

- **Read all instructions and cautionary markings.** Before using the battery cartridge, carefully review the instructions and safety warnings provided for the:

Battery charger	Battery	Product using the battery
-----------------	---------	---------------------------
- **Do not disassemble the battery cartridge.** Disassembly can result in safety hazards or damage.
- **Discontinue use if operating time shortens significantly.** If the battery's operating time becomes excessively shorter, stop using it immediately. Continued operation may lead to overheating, burns, or even an explosion.
- **Handle electrolyte exposure with care.** If electrolyte comes into contact with your eyes:
  - Rinse them thoroughly with clear water for at least 10 minutes.
  - Seek medical attention immediately. Electrolyte can cause severe irritation or potential loss of eyesight.

### DO NOT SHORT THE BATTERY CARTRIDGE

- **Avoid contact with terminals.** Do not touch the terminals of the battery cartridge with any conductive material.
- **Store the battery safely.** Do not store the battery cartridge in containers with other metal objects, such as nails, coins, or screws, to prevent accidental short circuits.
- **Protect from moisture.** Keep the battery cartridge away from water or rain. A short circuit caused by exposure to moisture can result in a large current flow, overheating, burns, or even battery failure.
- **Store in proper conditions.** Do not store the tool or battery cartridge in locations where the temperature may exceed 50°C (122°F).
- **Do not incinerate.** Never burn the battery cartridge, even if it is severely damaged or completely worn out. Incineration can cause the battery to explode.
- **Handle with care.** Avoid dropping or striking the battery cartridge to prevent internal damage.
- **Inspect before use.** Do not use a damaged battery cartridge under any circumstances.

### TIPS FOR MAINTAINING MAXIMUM BATTERY LIFE

- **Charge before complete discharge.** Stop using the tool and recharge the battery cartridge as soon as reduced power is noticed. Avoid fully depleting the battery to prolong its lifespan.
- **Do not overcharge.** Avoid recharging a fully charged battery cartridge. Overcharging can reduce the battery's service life.
- **Charge within the recommended temperature range.** Ensure the battery cartridge is charged in an environment with a temperature between 10°C - 40°C (50°F - 104°F). Allow the battery cartridge to cool down if it is hot before recharging.

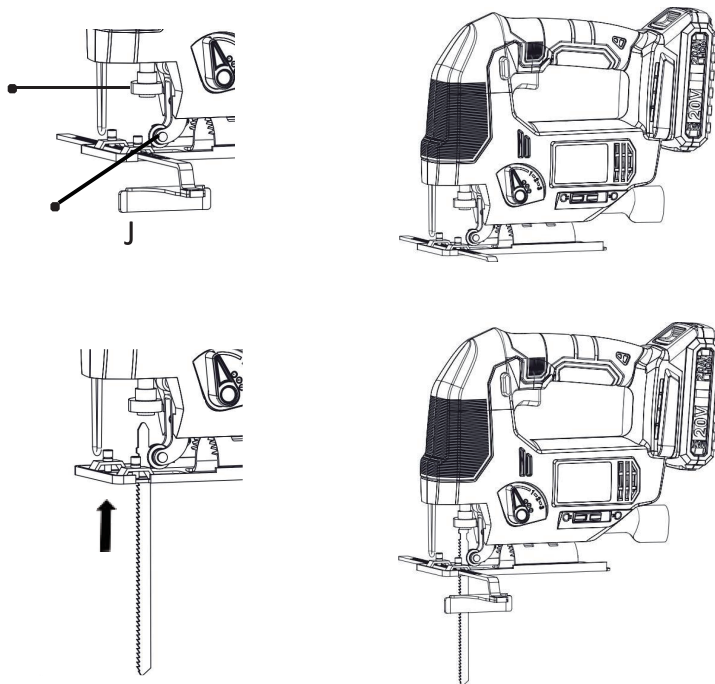
### IMPORTANT CHARGING NOTES

- **Do not store in locations where the temperature may exceed 40°C:** Ensure that the tool is stored in a cool, dry place.
- **Charge only at ambient temperatures between 4°C and 40°C:** Charging outside this range can cause damage to the battery.
- **Charge only using the charger provided with the tool:** Other chargers may use different amperages that can damage or destroy the battery and/or tool.
- **Unplug charger before attempting to clean:** Always unplug the charger before cleaning to prevent electric shock or damage to the charger.
- **Do not immerse the charger in water or any other liquid:** Avoid getting the charger wet to prevent electric shock or damage.

# ASSEMBLY

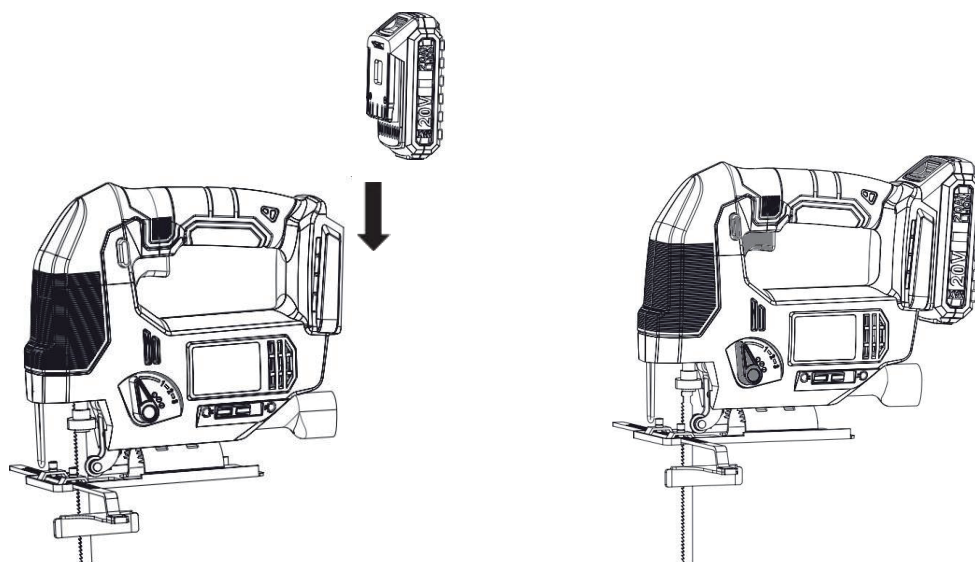
## BLADE ASSEMBLY

- 1.) Ensure the battery is disconnected throughout the assembly
- 2.) Open the keyless Chuck (I) by rotating it clockwise
- 3.) Insert a jigsaw blade, making sure the flat edge is against the Blade Guide (J).
- 4.) Fully insert the blade into the Keyless Chuck (I) and release it to secure the blade in place. If not secured, repeat the process.
- 5.) To remove the blade, follow the steps in reverse.



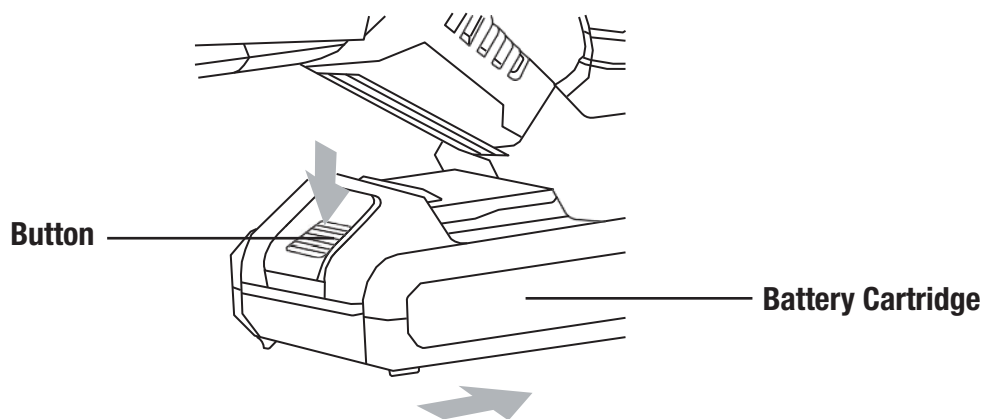
## BATTERY ASSEMBLY

- 1.) Ensure the battery is fully charged before assembly.
- 2.) Slide the battery into the Battery Carriage at the bottom of the handle. An audible click will be heard when it is correctly located.



## INSTALLING OR REMOVING BATTERY CARTRIDGE

- **To remove the battery cartridge:** Slide the red button on the front of the cartridge and carefully withdraw it from the tool.
- **To insert the battery cartridge:** Align the tongue of the battery cartridge with the groove in the tool's housing. Slide the cartridge into place, ensuring it is inserted all the way until it locks in with a distinct click.
- **Avoid using force:** If the battery cartridge does not slide in easily, it is not aligned correctly. Check the alignment and try again.



## BATTERY CHARGER OPERATION

**Power off before connecting.** Ensure the power source switch is turned **OFF** before plugging in the battery charger.

**Review the instruction manual.** Familiarize yourself with the entire manual before beginning any operation.

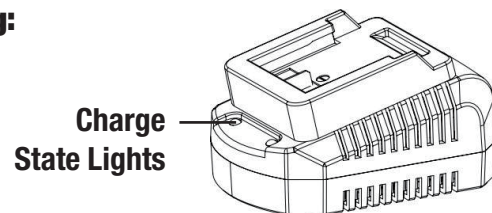
**Insert the battery correctly.** Align the terminals on the battery with those on the charger and slide the battery into place. It will lock securely with an audible click!

**Plug in the battery charger** then turn **ON** the power source

**The charge state lights will indicate the following:**

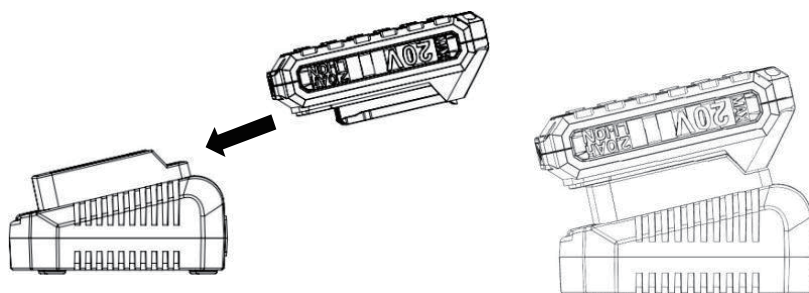
**SOLID RED = Charging**

**SOLID GREEN = Fully Charged**



### NOTE:

**To remove the battery:** Press the **Battery Release Button** while gently pulling the battery away from the charger.



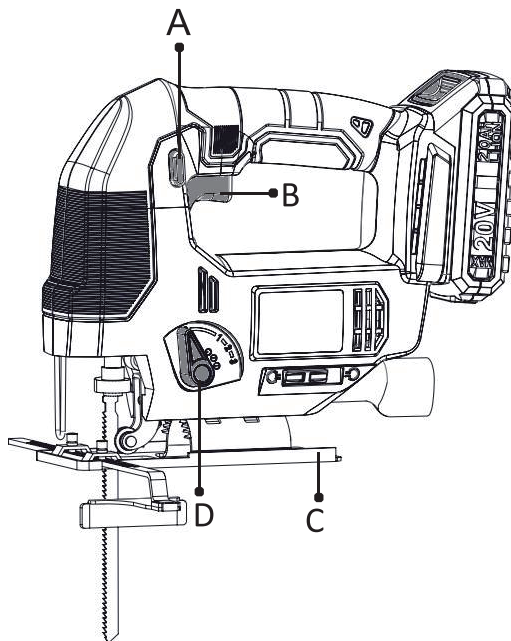
## STARTING & STOPPING

### WARNING!

You **MUST** read and fully understand the whole user manual before operation.

#### To start the machine:

- Firstly, press the Safety Switch (A).
- At the same time, press the On/Off Trigger (B). The machine will start.
- Allow 1 to 2 seconds for the machine to reach maximum operating speed before starting a cut.



## SUITABLE CUTTING

- When starting a cut, rest the machine on the front of the Baseplate (C), and work the blade into the workpiece without too much force. Applying too much force may cause the blade to kick back or the motor to stall.
- **NEVER MAKE CURVED CUTS**, as this may snap the blade and cause damage.

## ORBITAL CUTTING

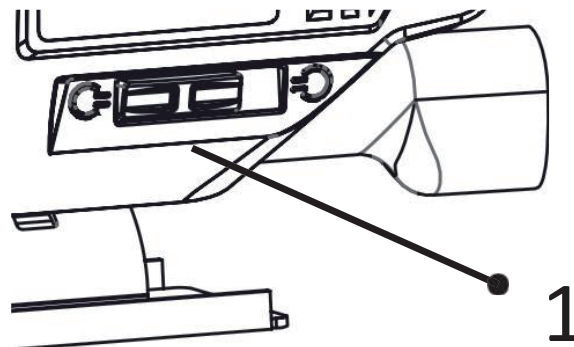
Adjust the Orbital Cut Selector (D) to add elliptical motion to the cutting blade. This adds forward and backward movement to the jigsaw blade, allowing for a more aggressive cut. **ONLY SUITABLE FOR WOOD.**

## BEVEL ADJUSTMENT

### WARNING!

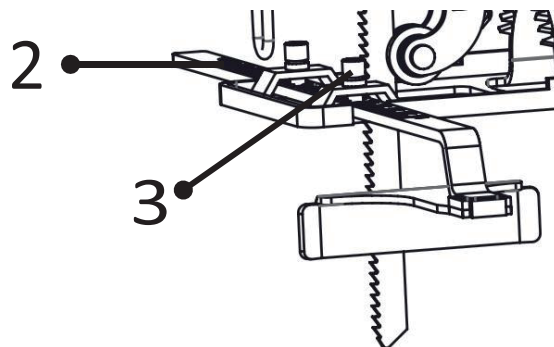
Remove the battery when adjusting the machine to prevent accidental starting.

- With the machine upside down, unlock the Bevel Lever by lifting it.
- Push the Baseplate forward, which will allow it to move freely.
- Adjust the Baseplate to the desired angle.
- Push the Baseplate backward to re-engage it with the machine body, securing it in place.
- Press the Bevel Lever down to lock the chosen angle.



## FENCE ADJUSTMENT

- Loosen the Fence Knob (3) on both sides.
- Insert the Fence Plate (2) through the Fence Knob (3), and adjust to the desired length.
- Tighten the Fence Knob (3) to secure the setting.



## GENERAL INSPECTION

- **BEFORE EACH USE:**  
Inspect the general condition of the tool thoroughly. Check for:
  - Leaking, swollen, or cracked battery pack.
  - Loose hardware.
  - Misalignment or binding of moving parts.
  - Cracked or broken parts.
  - Any other condition that may compromise safe operation.

## MAINTENANCE

### CAUTION:

- **Ensure safety before maintenance:** Always switch off the tool and remove the battery cartridge before performing any inspection or maintenance.
- **Avoid harmful substances:** Do not use petrol, diesel, benzene, thinner, alcohol, or similar substances for cleaning. These chemicals can cause discoloration, deformation, or cracks in the tool's materials.

### NOTE:

- **Authorized repairs only:** To ensure product safety and reliability, all repairs, maintenance, or adjustments should be performed exclusively by Adendorff Machinery Mart Authorized Service Centers.
- **Use genuine parts:** Always use Adendorff Machinery Mart-approved replacement parts to maintain the tool's performance and warranty coverage.

## STORAGE

- **Keep the tool stored in a dry, level area,** away from dampness, moisture, and rainfall.
- **Allow the tool to cool down completely before storing.**
- **Ensure the tool is clean and dry before storage.**
- **Store the tool in a position where it cannot be accidentally stepped on or moved,** especially to reach higher items.

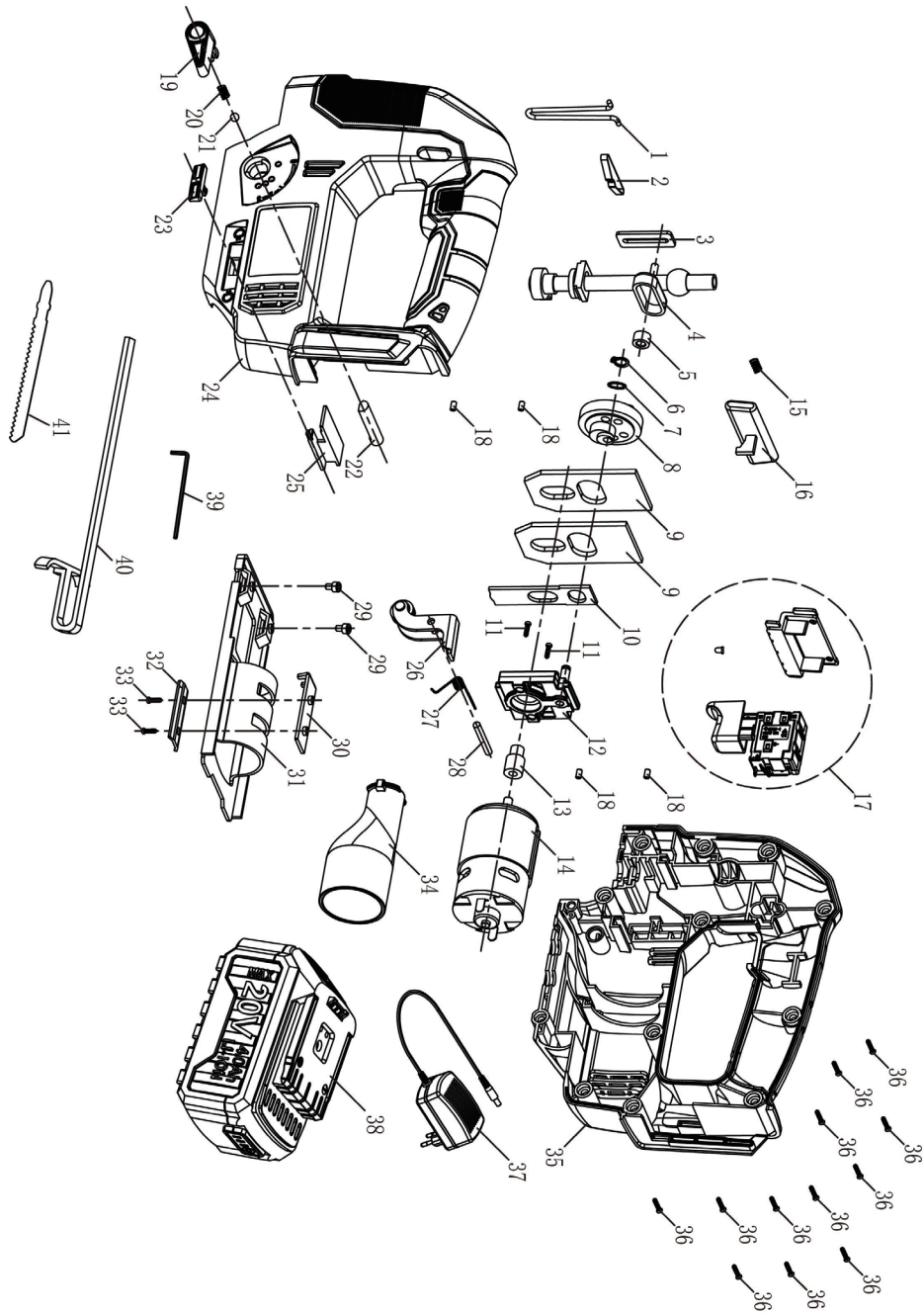
### DO NOT:

- **Do not store the tool near an ignition source,** such as a wood stove, gas or electric heater, or any appliance with a pilot light.
- **Do not stack heavy or other items on top of the tool during storage.**

### IMPORTANT:

- **Store the tool out of reach of children or individuals unfamiliar with its operation.**
- **Avoid direct sunlight or extreme temperatures. Store the tool indoors or in a safe, frost-free area**

**PARTS LIST ISAWJG-001**



# PARTS LIST ISAWJG-001

No.	Description
1	Steel Wire Protection
2	Reciprocating Lever Spring
3	Reciprocating Lever Guide
4	Reciprocating Lever Assy
5	Steel Sleeve
6	Stop Ring
7	Washer
8	Gear
9	Blance Block
10	Support
11	Screw
12	Motor Support
13	Motor Gear
14	Motor
15	Push Button Spring
16	Push Rod
17	Switch Assy
18	Stop Pin
19	Rotary Knob
20	Spring
21	Steel Ball
22	Steel Pin
23	Push Button
24	Left Housing
25	Stop Block
26	Lifting Support Assy
27	Lifting Spring
28	Steel Pin
29	Screw
30	Lock Plate
31	Base Plate
32	Pressing Plate
33	Screw
34	Dust-Out Tube
35	Right Housing
36	Screw
37	Charger (Sold Separately)
38	Battery Pack (Sold Separately)
39	Hex Wrench
40	Guide Ruler
41	Saw Blade

## **WARRANTY TERMS & CONDITIONS**

### **WARRANTY PERIOD**

- This product is warranted for 12 months from the date of purchase by the first user.

### **COVERAGE**

- The warranty covers all material or production flaws, with exceptions:
- Batteries and chargers
- Parts subject to normal wear (e.g., bearings, brushes, cables, plugs)
- Accessories (e.g., drill bits, saw blades)

### **EXCLUSIONS**

The warranty does not cover damage or defects from:

- Maltreatment, accidents, or alterations
- Inappropriate or negligent use of the tool
- Overloading, fluid permeation, excessive dust, or intentional damage
- Non-compliance with manual instructions, inexperienced assembly, lightning, or incorrect voltage

### **LIABILITY**

- Adendorff Machinery Mart disclaims liability for bodily injury resulting from improper tool use.

### **REPAIRS**

- All Warranty repairs must be conducted by an authorized Adendorff Machinery Mart repair center. All stores have in-house service technicians.

### **TRANSPORTATION COSTS**

- Transportation costs for service are the customer's responsibility unless otherwise agreed in writing.

### **WARRANTY CLAIMS**

- All Warranty claims do not extend or restart the warranty period.
- Claims may be rejected if purchase cannot be verified or if product maintenance is found to be lacking.
- A 3-month (Three Months) warranty applies to any repairs performed.

### **MAINTENANCE AND PROOF OF PURCHASE**

- Maintain the product as instructed (e.g., clean ventilation slots, service carbon brushes regularly).
- Retain the purchase receipt as proof of purchase date.

### **RETURN CONDITIONS**

- Return the product intact, in clean condition, and in its original blow-molded case (if applicable), along with proof of purchase.

**For full warranty details, visit [www.adendorff.co.za](http://www.adendorff.co.za). For assistance, contact the national call centre at 011 434 7000.**

 **Kinway**

**Supplied By**

***Adendorff***  
***machinery mart***