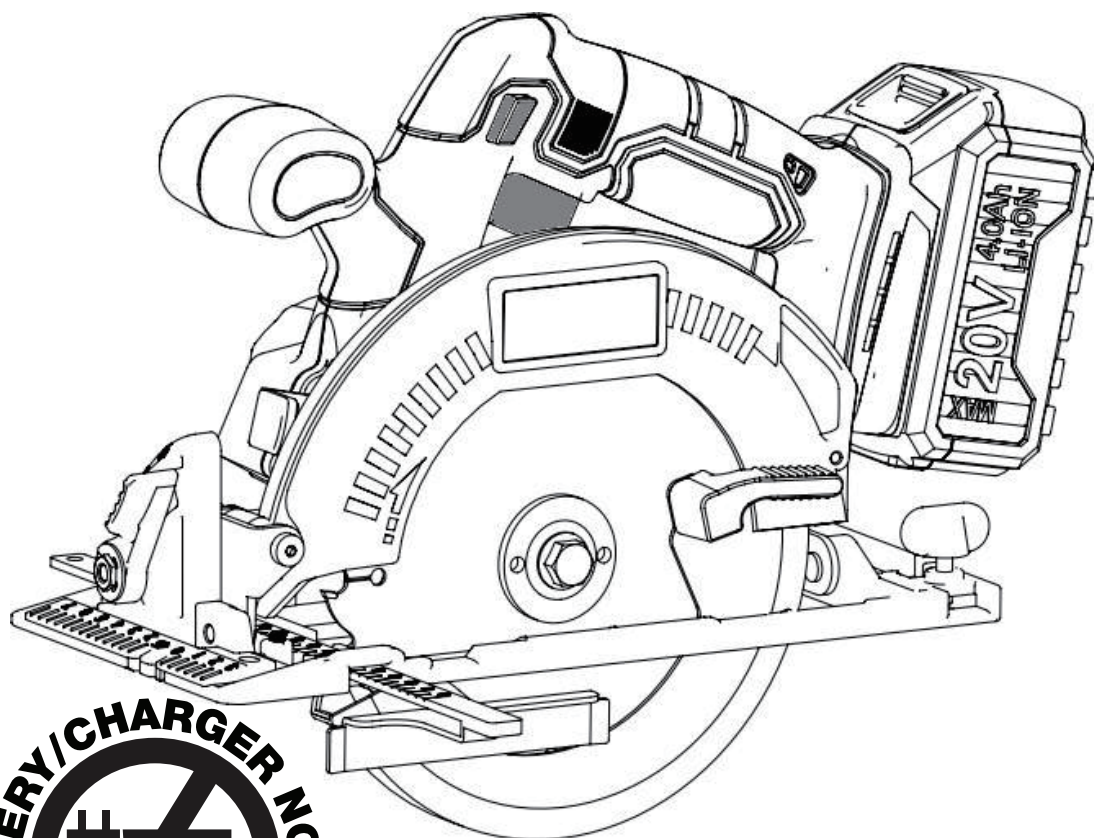


OPERATING INSTRUCTIONS / USER MANUAL



DANGER! Read all safety regulations and instructions. Keep all safety regulations and instructions in a safe place for future use.



2025

IMPORTANT SAFETY INFORMATION

Thank you for purchasing this quality product. We want to help you get the best results from your new equipment and to operate it safely.

This manual contains the information on how to do that; please read it carefully. You will need this manual for the safety warnings and precautions, operating, maintenance and cleaning procedures, parts list and assembly diagram. Keep your invoice with this manual. Write the invoice number on the inside of the front cover. Keep this manual and invoice in a safe and dry place for future reference.

This manual should be considered a permanent part of the product and should remain with it if it is resold.

SAFETY PRECAUTIONS

Your safety and the safety of those around you are of utmost importance. This manual includes essential safety messages—please read them carefully to ensure proper use and avoid potential hazards.

The failure to follow instructions may result in damage to your power tool, other property, or the environment.

Product Information & Disclaimer

All details and specifications provided in this publication are based on the latest available product information at the time of printing.

We reserve the right to make updates at any time without prior notice or obligation.

Reproduction of any part of this manual is prohibited without written permission.

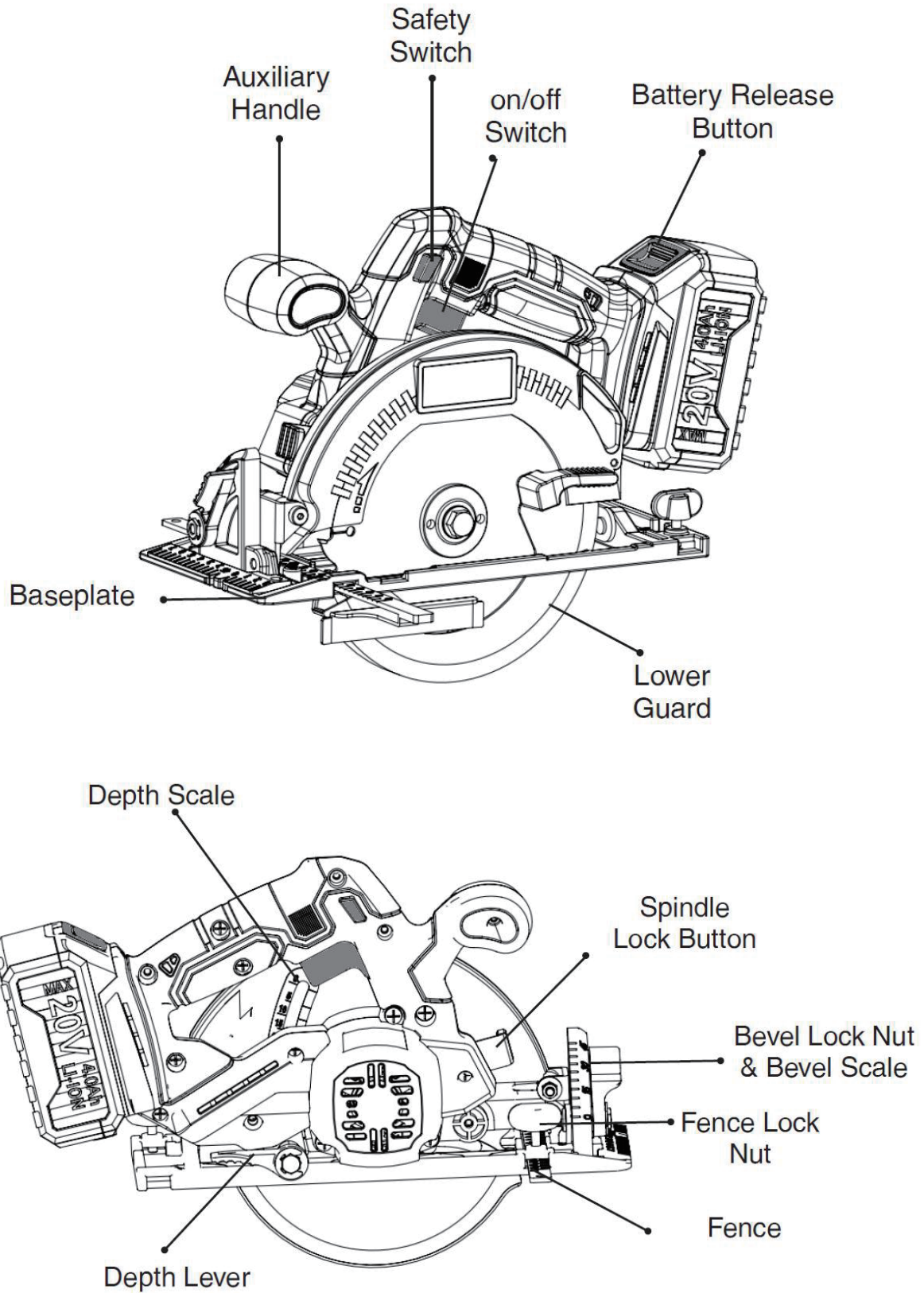
By following these safety guidelines, you can ensure the proper use of your equipment while protecting yourself, others, and your surroundings.

TECHNICAL SPECIFICATIONS

MODEL	ISAWCL-001
SAW BLADE DIAMETER:	165mm
BATTERY VOLTAGE:	DC 20V
BATTERY TYPE:	Lithium-Ion
NO-LOAD RPM:	4500RPM
MAX CUTTING DEPTH AT 0°:	57mm
MAX CUTTING DEPTH AT 45°:	42mm
WEIGHT:	3.05kg
INCLUDES:	1 Piece Guide Ruler
	1 Piece Allen Key

Please note that the accessories shown in this manual may either be included with the unit upon purchase or may not be available for sale or included at all. Additionally, certain key features depicted may not be standard. This manual is intended for reference purposes only.

PARTS LIST



GENERAL POWER TOOL SAFETY RULES

WARNING!

Read and save all safety warnings and instructions carefully. Failure to follow these warnings may result in electric shock, fire, or serious injury. Keep all warnings and instructions for future reference. The term “power tool” in these warnings applies to both mains-operated (corded) and battery-operated (cordless) tools.

WORK AREA SAFETY

- **Keep the work area clean and well-lit.** Cluttered or poorly lit spaces increase the risk of accidents.
- **Avoid operating power tools in explosive atmospheres.** Do not use tools in environments with flammable liquids, gases, or dust, as power tools generate sparks that could ignite these substances.
- **Keep children and bystanders at a safe distance** while operating a power tool. Distractions can lead to a loss of control, increasing the risk of injury.

ELECTRICAL SAFETY

- **Ensure power tool plugs match the outlet.** Never modify the plug in any way or use adapter plugs with earthed (grounded) power tools. Properly matched, unmodified plugs and outlets reduce the risk of electric shock.
- **Avoid contact with earthed or grounded surfaces** such as pipes, radiators, ranges, and refrigerators. Contact with these surfaces increases the risk of electric shock.
- **Keep power tools away from rain or wet conditions.** Water entering a power tool significantly raises the risk of electric shock.
- **If using a power tool in a damp location is unavoidable,** ensure the power supply is protected by a **Ground Fault Circuit Interrupter (GFCI)**. A GFCI reduces the risk of electric shock in such conditions.

PERSONAL SAFETY

- **Stay alert and focused.** Always pay attention to what you are doing and use common sense when operating a power tool. Avoid using power tools if tired or under the influence of drugs, alcohol, or medication. A moment of inattention can result in serious personal injury.
- **Use appropriate personal protective equipment.** Always wear eye protection, and use additional protective equipment such as a dust mask, non-skid safety shoes, a hard hat, or hearing protection, depending on the conditions. These measures reduce the risk of injury.
- **Prevent unintentional starting.** Ensure the switch is in the OFF position before connecting the tool to a power source, attaching a battery pack, picking up, or carrying the tool. Carrying tools with your finger on the switch or connecting power while the tool is on increases the risk of accidental activation.
- **Remove all adjusting keys or wrenches before turning on the tool.** Leaving these attached to rotating parts can cause serious personal injury.
- **Maintain proper footing and balance.** Avoid overreaching, and always keep a stable stance to retain control of the tool in unexpected situations.
- **Dress appropriately.** Avoid wearing loose clothing or jewellery, and ensure long hair is tied back. Keep hair, clothing, and gloves away from moving parts to prevent entanglement.
- **Use dust extraction and collection systems if available.** Properly connecting and using these systems helps reduce dust-related hazards.

POWER TOOL USE AND CARE

- **Use the correct tool for the job.** Do not force the power tool to perform tasks it is not designed for. The appropriate power tool will complete the task more efficiently and safely when used as intended.
- **Ensure proper operation of the switch.** Do not use the power tool if the switch does not properly turn it on and off. A tool that cannot be controlled via the switch is hazardous and should be repaired before use.
- **Disconnect the power source before adjustments.** Always unplug the Tool or remove the battery pack before adjusting, changing accessories, or storing the tool. This precaution prevents accidental activation.
- **Store tools securely and out of reach of children.** Keep idle power tools in a safe location, away from children and individuals unfamiliar with their operation. Tools in the hands of untrained users can be dangerous.
- **Maintain tools.** Regularly inspect power tools for misalignment, binding of moving parts, breakage, or any condition that may affect their performance. Damaged tools should be repaired before use, as poorly maintained tools are a common cause of accidents.
- **Keep cutting tools sharp and clean.** Properly maintained and sharp cutting edges reduce the likelihood of binding and make the tool easier to control.
- **Follow the tool's instructions and intended use.** Use the power tool, accessories, and bits according to the provided instructions and the conditions of the task. Using tools for unintended applications can lead to hazardous situations.

BATTERY TOOL USE AND CARE

- **Recharge only with the charger specified by the manufacturer.** Using a charger designed for a different battery pack may pose a risk of fire or damage to the battery.
- **Use designated battery packs.** Operate power tools only with the specific battery packs recommended by the manufacturer. Using other battery packs may result in injury or fire.
- **Store battery packs safely.** When not in use, keep the battery pack away from metal objects such as paper clips, coins, keys, nails, or screws. These items can create a connection between terminals, potentially causing burns or a fire.
- **Handle leaking batteries with care.** Under abusive conditions, liquid may leak from the battery:
 - Avoid contact with the liquid.**
 - If accidental contact occurs, flush the area with water.
 - If the liquid enters the eyes, rinse thoroughly with clean water for at least 10 minutes and seek medical attention.
 - Battery liquid may cause irritation or burns.

SERVICE

- **Use qualified service professionals.** Always have power tools serviced by a qualified repair technician at Adendorff Machinery Mart www.adendorff.co.za, ensuring that only identical replacement parts are used. This guarantees the safety and performance of the tool.
- **Adhere to maintenance guidelines.** Follow the manufacturer's instructions for lubrication and accessory changes to maintain the tool's functionality and longevity.
- **Maintain cleanliness.** Keep handles and external surfaces dry, clean, and free from oil and grease. A clean tool provides better grip and reduces the risk of slipping during use.

SAVE THESE INSTRUCTIONS

These safety instructions will help ensure safe and effective operation of the tool.

WARNING

- **DO NOT** let comfort or familiarity with the product (gained from repeated use) replace strict adherence to safety rules for the subject product. **MISUSE** or failure to follow the safety rules stated in this instruction manual may cause serious personal injury.
- It's essential to remain vigilant and prioritize safety every time the tool is used, regardless of the level of experience. Always follow the instructions and safety guidelines to avoid accidents and injuries.

CORDLESS CIRCULAR SAW SAFETY

TOOL PURPOSE AND SAFE USE

- This power tool is intended to function as a saw. Read all safety warnings, instructions, and specifications provided with this power tool. Failure to follow these instructions may result in electric shock, fire, and/or serious injury.
- Operations such as grinding, wire brushing, polishing, or cutting off are not recommended for this power tool. Using the tool for unintended operations may create hazards and cause personal injury.

ACCESSORIES

- Only use accessories specifically designed and recommended by the tool manufacturer. The attachment of an accessory to your power tool does not guarantee safe operation.
- The accessory's rated speed must be equal to or greater than the maximum speed marked on the power tool. Accessories running faster than their rated speed may break and fly apart.
- Ensure the accessory's dimensions, such as outside diameter and thickness, are within the capacity rating of your power tool. Incorrectly sized accessories may not be properly guarded or controlled.
- The arbor size of wheels, flanges, backing pads, or any other accessory must fit the spindle of the power tool. Accessories with incorrect arbor sizes may cause imbalance, excessive vibration, and loss of control.

INSPECT ACCESSORIES BEFORE USE

- Do not use damaged accessories. Inspect accessories, such as abrasive wheels, for cracks or wear before each use. Replace any damaged accessory immediately.
- If the tool or accessory is dropped, inspect for damage before continuing. Install undamaged accessories only.
- After installing an accessory, position yourself and bystanders away from the plane of the rotating accessory. Run the tool at maximum no-load speed for one minute to check for flaws. Damaged accessories may break apart during this test.

PERSONAL PROTECTIVE EQUIPMENT (PPE)

- Always wear appropriate PPE, including a face shield, safety goggles, or safety glasses. Choose PPE capable of stopping flying debris.
- Wear a dust mask or respirator capable of filtering particles generated during operation. Prolonged exposure to high-intensity noise may also require hearing protection.
- Keep bystanders at a safe distance. Anyone entering the work area must wear proper PPE. Fragments from workpieces or accessories may cause injury beyond the immediate work area.

INSULATED SURFACES AND POWER HAZARDS

- Hold the tool only by its insulated gripping surfaces when performing operations where the accessory may contact hidden wiring or its own cord. Contact with a “live” wire may energize exposed metal parts of the tool, creating a shock hazard.
- Never lay the tool down until the accessory has come to a complete stop. A spinning accessory may grab the surface and pull the tool out of control.
- Do not operate the tool near flammable materials, as sparks could ignite them.

GENERAL SAFETY PRACTICES

- Avoid unintentional starting. Always ensure the switch is off before connecting the battery pack or plugging in the tool.
- Clean the tool's air vents regularly to prevent dust accumulation, which can cause overheating or electrical hazards.
- Never use accessories requiring liquid coolants, as liquids may result in electrocution or shock.

LABELS AND NAMEPLATES

- Maintain labels and nameplates on the tool, as they contain important safety information.

PROPER WORKPIECE SUPPORT

- Use clamps or other practical means to secure and support the workpiece on a stable platform. Holding the work by hand or against the body is unstable and may cause loss of control.

BATTERY CHARGER SAFETY

- Ensure the battery charger has adequate ventilation during use. Avoid placing it on carpets, rugs, or other flammable surfaces that may obstruct airflow.
- The charger may become hot during use. Do not place it on surfaces that may catch fire.

SPECIAL PRECAUTIONS FOR PACEMAKERS

- People with pacemakers should consult their physician before using this product. Electromagnetic fields generated by this tool could interfere with pacemaker function.
- Pacemaker users should avoid operating alone, use proper grounding, and ensure the tool is properly maintained to minimize risks.

OPERATOR RESPONSIBILITY

- The warnings, precautions, and instructions in this manual cannot cover all possible conditions. It is the operator's responsibility to exercise caution and common sense while using the tool.

IMPORTANT SAFETY INSTRUCTIONS FOR BATTERY CARTRIDGE

- **Read all instructions and cautionary markings.** Before using the battery cartridge, carefully review the instructions and safety warnings provided for the:

Battery charger	Battery	Product using the battery
-----------------	---------	---------------------------
- **Do not disassemble the battery cartridge.** Disassembly can result in safety hazards or damage.
- **Discontinue use if operating time shortens significantly.** If the battery's operating time becomes excessively shorter, stop using it immediately. Continued operation may lead to overheating, burns, or even an explosion.
- **Handle electrolyte exposure with care.** If electrolyte comes into contact with your eyes:
 - Rinse them thoroughly with clear water for at least 10 minutes.
 - Seek medical attention immediately. Electrolyte can cause severe irritation or potential loss of eyesight.

DO NOT SHORT THE BATTERY CARTRIDGE

- **Avoid contact with terminals.** Do not touch the terminals of the battery cartridge with any conductive material.
- **Store the battery safely.** Do not store the battery cartridge in containers with other metal objects, such as nails, coins, or screws, to prevent accidental short circuits.
- **Protect from moisture.** Keep the battery cartridge away from water or rain. A short circuit caused by exposure to moisture can result in a large current flow, overheating, burns, or even battery failure.
- **Store in proper conditions.** Do not store the tool or battery cartridge in locations where the temperature may exceed 50°C (122°F).
- **Do not incinerate.** Never burn the battery cartridge, even if it is severely damaged or completely worn out. Incineration can cause the battery to explode.
- **Handle with care.** Avoid dropping or striking the battery cartridge to prevent internal damage.
- **Inspect before use.** Do not use a damaged battery cartridge under any circumstances.

TIPS FOR MAINTAINING MAXIMUM BATTERY LIFE

- **Charge before complete discharge.** Stop using the tool and recharge the battery cartridge as soon as reduced power is noticed. Avoid fully depleting the battery to prolong its lifespan.
- **Do not overcharge.** Avoid recharging a fully charged battery cartridge. Overcharging can reduce the battery's service life.
- **Charge within the recommended temperature range.** Ensure the battery cartridge is charged in an environment with a temperature between 10°C - 40°C (50°F - 104°F). Allow the battery cartridge to cool down if it is hot before recharging.

IMPORTANT CHARGING NOTES

- **Do not store in locations where the temperature may exceed 40°C:** Ensure that the tool is stored in a cool, dry place.
- **Charge only at ambient temperatures between 4°C and 40°C:** Charging outside this range can cause damage to the battery.
- **Charge only using the charger provided with the tool:** Other chargers may use different amperages that can damage or destroy the battery and/or tool.
- **Unplug charger before attempting to clean:** Always unplug the charger before cleaning to prevent electric shock or damage to the charger.
- **Do not immerse the charger in water or any other liquid:** Avoid getting the charger wet to prevent electric shock or damage.

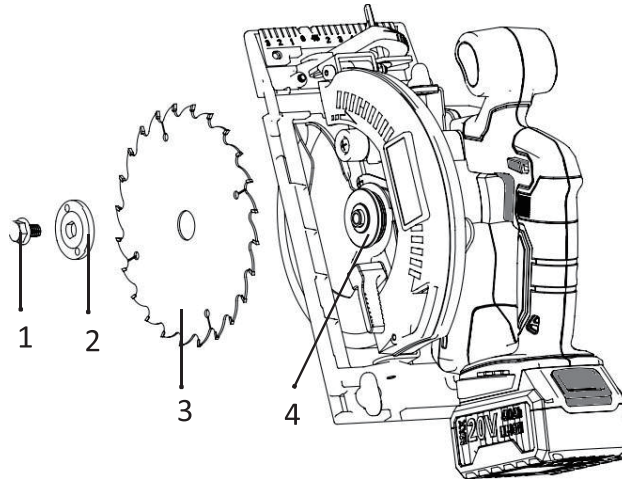
ASSEMBLY

BLADE ASSEMBLY

WARNING!

NEVER attempt to remove or replace the blade with the battery installed.

- Adjust the machine depth to as shallow as possible. This will ensure the most ease during the process.



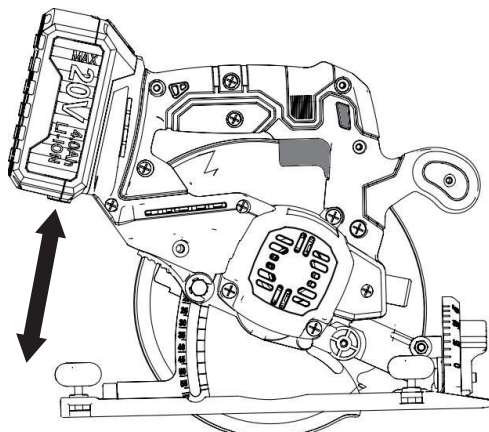
- Press the Spindle Lock Button, and at the same time, turn the Blade Bolt (1) clockwise using the included tool.
- Remove the Outer Flange (2). Press the Lower Guard Lever to allow space for the blade.
- Remove the blade. Keep the Inner Flange (4) on the spindle.
- Install a new blade with the rotation arrow facing the same direction as the arrow on the Upper Guard.
- Now install the Outer Flange (2) and Blade Bolt (1), following the same method as in step 2. While holding the Spindle Lock Button, rotate the Blade Bolt (1) counterclockwise to secure the blade.

DEPTH ADJUSTMENT

WARNING!

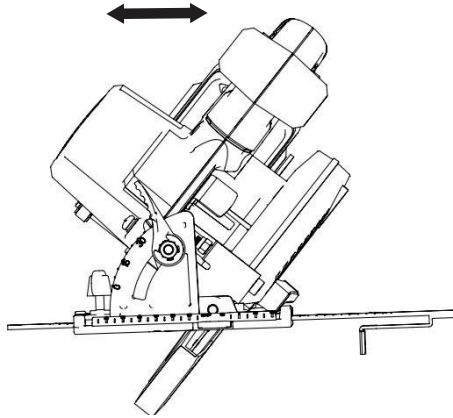
You **MUST** read and fully understand the entire user manual before operation.

- Set the Baseplate against a flat surface and release the Depth Lever.
- Raise or lower the machine to set the cutting depth. Use the Depth Scale to adjust to the desired depth.
- Secure the preferred depth by locking the Depth Lever.

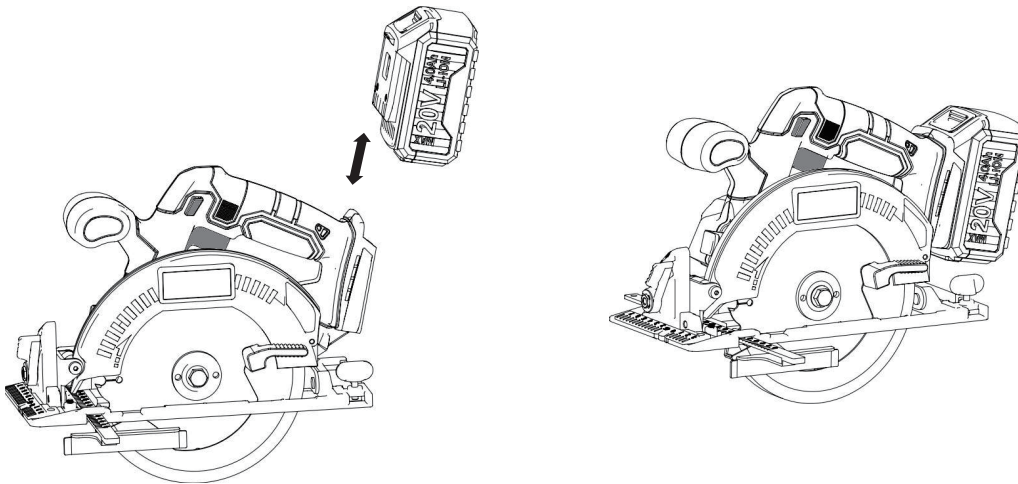


BEVEL ADJUSTMENT

- Set the Baseplate against a flat surface and loosen the Bevel Lock Nut.
- The machine will be able to tilt from side to side. Set the preferred angle on the Bevel Scale.
- Secure the preferred angle by tightening the Bevel Lock Nut.

**BATTERY ASSEMBLY**

- 1.) Ensure the battery is fully charged before assembly.
- 2.) Slide the battery into the Battery Carriage at the bottom of the handle. An audible click will be heard when it is correctly located.



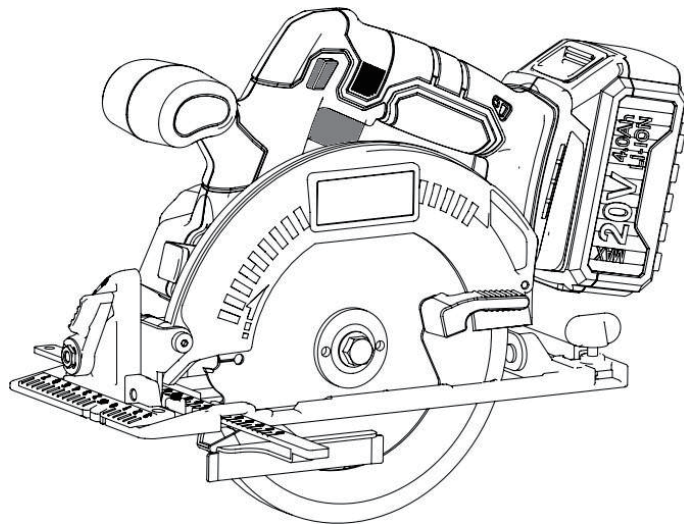
STARTING & STOPPING

WARNING!

You **MUST** read and fully understand the whole user manual before operation.

To start the machine:

- Firstly, press the Safety Switch (A).
- At the same time, press the On/Off Trigger (B). The machine will start.
- Allow 1 to 2 seconds for the machine to reach maximum operating speed before starting a cut. To stop the machine, release both buttons and allow the machine to come to a complete stop before setting it down.

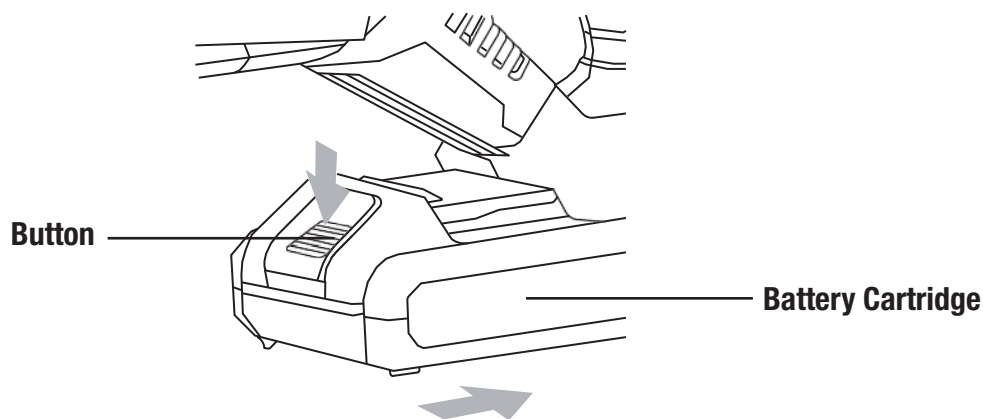


SUITABLE CUTTING

- Always use two hands when operating the machine.
- When starting a cut, rest the machine on the front of the Baseplate and gently guide the blade into the workpiece.
- Avoid using excessive force, as this may cause the blade to kick back or the motor to stall.
- **NEVER** make curved cuts, as this can snap the blade and cause damage.

INSTALLING OR REMOVING BATTERY CARTRIDGE

- **To remove the battery cartridge:** Slide the red button on the front of the cartridge and carefully withdraw it from the tool.
- **To insert the battery cartridge:** Align the tongue of the battery cartridge with the groove in the tool's housing. Slide the cartridge into place, ensuring it is inserted all the way until it locks in with a distinct click.
- **Avoid using force:** If the battery cartridge does not slide in easily, it is not aligned correctly. Check the alignment and try again.



BATTERY CHARGER OPERATION

Power off before connecting. Ensure the power source switch is turned **OFF** before plugging in the battery charger.

Review the instruction manual. Familiarize yourself with the entire manual before beginning any operation.

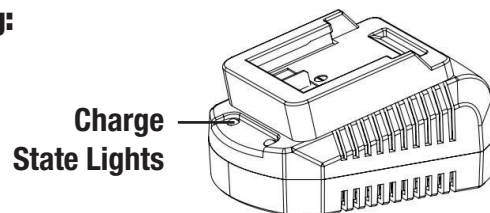
Insert the battery correctly. Align the terminals on the battery with those on the charger and slide the battery into place. It will lock securely with an audible click!

Plug in the battery charger then turn **ON** the power source

The charge state lights will indicate the following:

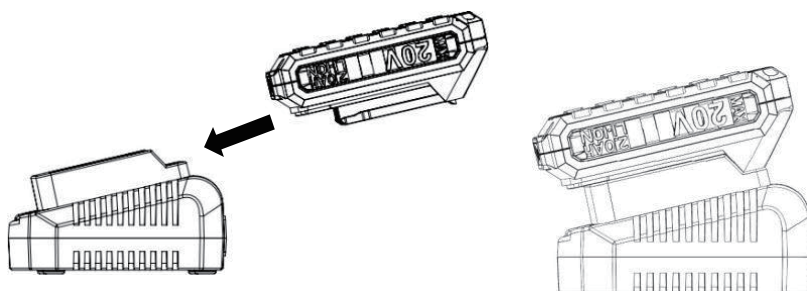
SOLID RED = Charging

SOLID GREEN = Fully Charged



NOTE:

To remove the battery: Press the **Battery Release Button** while gently pulling the battery away from the charger.



GENERAL INSPECTION

- **BEFORE EACH USE:**
Inspect the general condition of the tool thoroughly. Check for:
 - Leaking, swollen, or cracked battery pack.
 - Loose hardware.
 - Misalignment or binding of moving parts.
 - Cracked or broken parts.
 - Any other condition that may compromise safe operation.

MAINTENANCE

CAUTION:

- **Ensure safety before maintenance:** Always switch off the tool and remove the battery cartridge before performing any inspection or maintenance.
- **Avoid harmful substances:** Do not use petrol, diesel, benzene, thinner, alcohol, or similar substances for cleaning. These chemicals can cause discoloration, deformation, or cracks in the tool's materials.

NOTE:

- **Authorized repairs only:** To ensure product safety and reliability, all repairs, maintenance, or adjustments should be performed exclusively by Adendorff Machinery Mart Authorized Service Centers.
- **Use genuine parts:** Always use Adendorff Machinery Mart-approved replacement parts to maintain the tool's performance and warranty coverage.

STORAGE

- **Keep the tool stored in a dry, level area,** away from dampness, moisture, and rainfall.
- Allow the tool to cool down completely before storing.
- Ensure the tool is clean and dry before storage.
- Store the tool in a position where it cannot be accidentally stepped on or moved, especially to reach higher items.

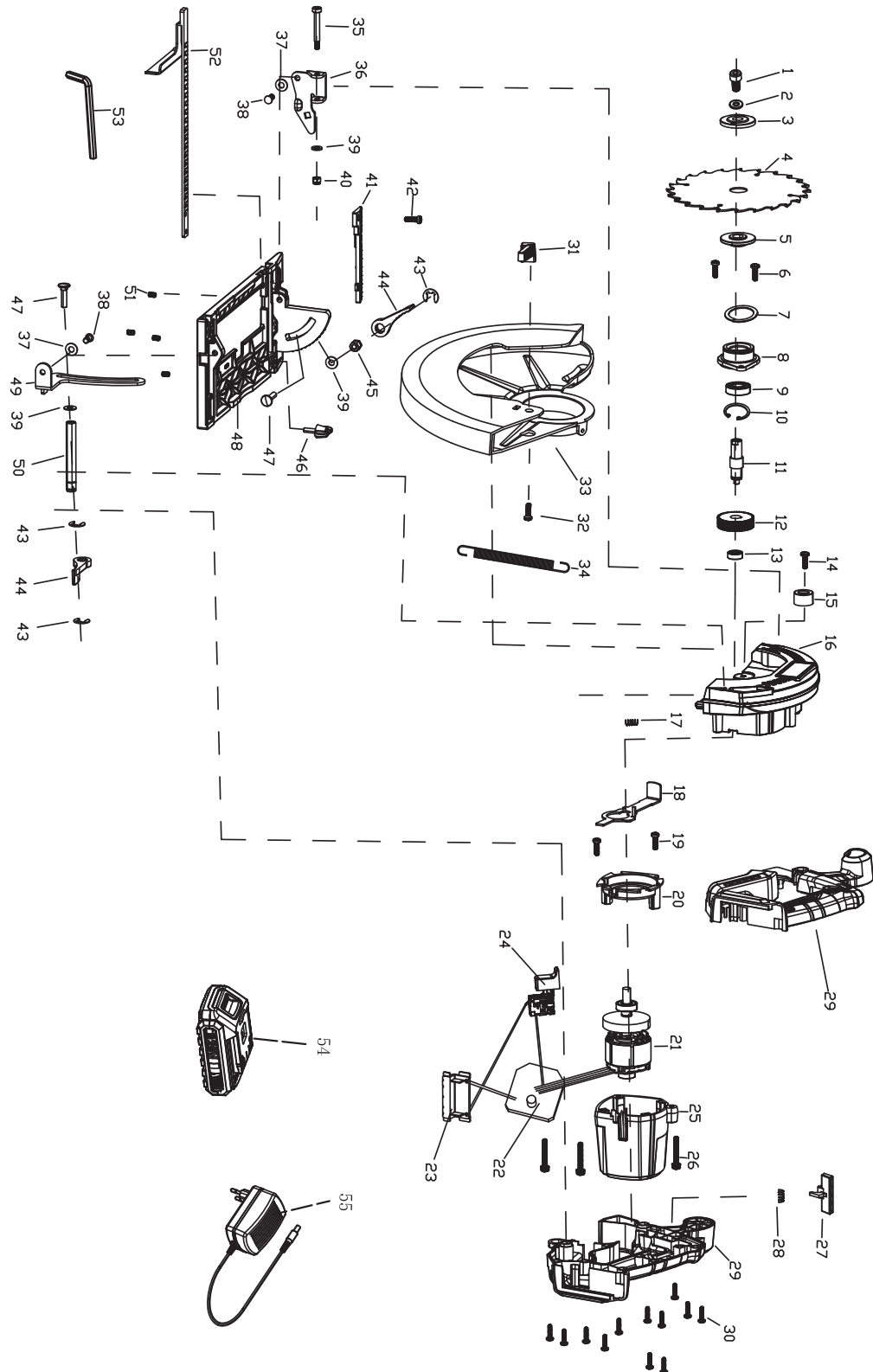
DO NOT:

- Do not store the tool near an ignition source, such as a wood stove, gas or electric heater, or any appliance with a pilot light.
- Do not stack heavy or other items on top of the tool during storage.

IMPORTANT:

- Store the tool out of reach of children or individuals unfamiliar with its operation.
- Avoid direct sunlight or extreme temperatures. Store the tool indoors or in a safe, frost-free area

PARTS LIST ISAWCL-001



PARTS LIST ISAWCL-001

No.	Description
1	Bolt
2	Washer
3	Up Plate
4	Saw Blade
5	Down Plate
6	Screw
7	Guard Spring
8	Bearing Hold
9	Bearing
10	Stop Ring
11	Output Shift
12	Big Gear
13	Bearing
14	Screw
15	Stop Gasket
16	Alum.housing
17	Shaft Lock Spring
18	Shaft Lock
19	Screw
20	Wind Stop
21	Motor Assy
22	Control Board
23	Battery Pack Pin
24	Switch Assy
25	Housing
26	Screw
27	Push Rod
28	Spring
29	Left & Right Handle

No.	Description
30	Screw
31	Cover Lever
32	Screw
33	Movable Shield
34	Shield Spring
35	Screw
36	Angle Support
37	Washer
38	Connect Pin
39	Washer
40	Nut
41	Baseplate Ruler
42	Screw
43	Stop Ring
44	Clap Lever
45	Nut
46	Clap Nut
47	Screw
48	Baseplate
49	Depth Support
50	Depth Control Nut
51	Screw
52	Guide Rular
53	Hex Wrench
54	Battery Pack (Sold Seperately)
55	Charger (Sold Seperately)

WARRANTY TERMS & CONDITIONS

WARRANTY PERIOD

- This product is warranted for 12 months from the date of purchase by the first user.

COVERAGE

- The warranty covers all material or production flaws, with exceptions:
- Batteries and chargers
- Parts subject to normal wear (e.g., bearings, brushes, cables, plugs)
- Accessories (e.g., drill bits, saw blades)

EXCLUSIONS

The warranty does not cover damage or defects from:

- Maltreatment, accidents, or alterations
- Inappropriate or negligent use of the tool
- Overloading, fluid permeation, excessive dust, or intentional damage
- Non-compliance with manual instructions, inexperienced assembly, lightning, or incorrect voltage

LIABILITY

- Adendorff Machinery Mart disclaims liability for bodily injury resulting from improper tool use.

REPAIRS

- All Warranty repairs must be conducted by an authorized Adendorff Machinery Mart repair center. All stores have in-house service technicians.

TRANSPORTATION COSTS

- Transportation costs for service are the customer's responsibility unless otherwise agreed in writing.

WARRANTY CLAIMS

- All Warranty claims do not extend or restart the warranty period.
- Claims may be rejected if purchase cannot be verified or if product maintenance is found to be lacking.
- A 3-month (Three Months) warranty applies to any repairs performed.

MAINTENANCE AND PROOF OF PURCHASE

- Maintain the product as instructed (e.g., clean ventilation slots, service carbon brushes regularly).
- Retain the purchase receipt as proof of purchase date.

RETURN CONDITIONS

- Return the product intact, in clean condition, and in its original blow-molded case (if applicable), along with proof of purchase.

For full warranty details, visit www.adendorff.co.za. For assistance, contact the national call centre at 011 434 7000.

 **Kinway**

Supplied By

Adendorff
machinery mart