

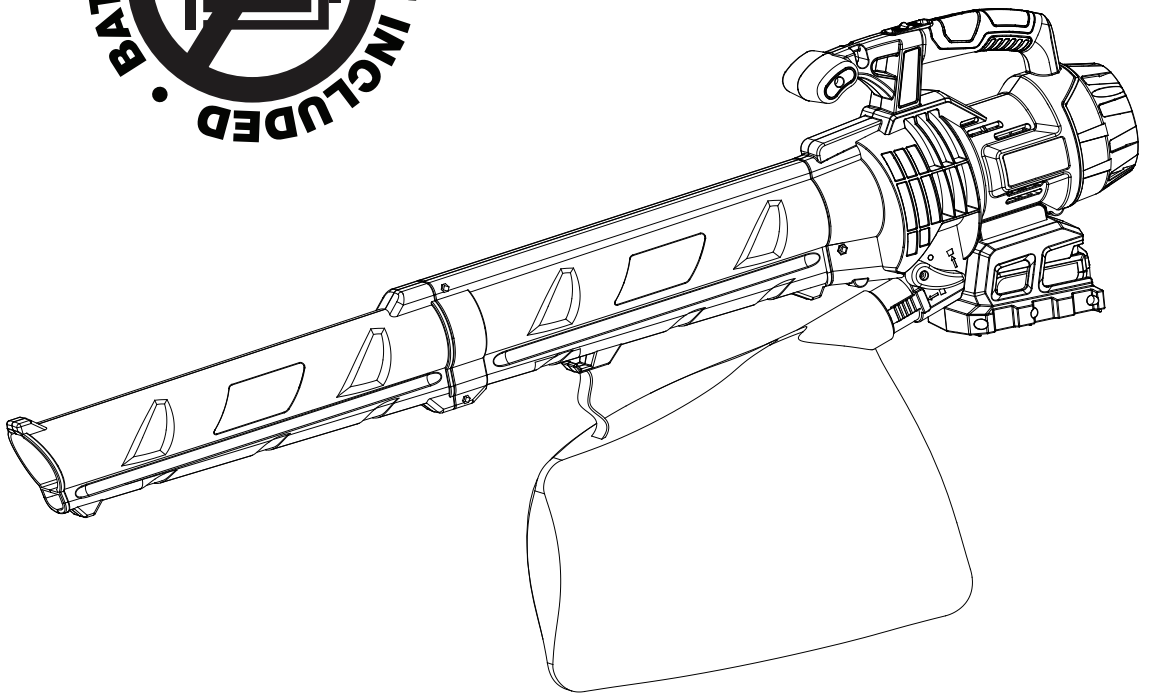
Model: IBLOWR-020

CORDLESS VACUUM/BLOWER

Adendorff
machinery mart

Kinway

OPERATING INSTRUCTIONS / USER MANUAL



DANGER! Read all safety regulations and instructions. Keep all safety regulations and instructions in a safe place for future use.



2025

E&OE Please Note that details and specifications contained herein, are correct at the time of publishing. Adendorff reserve the right to change specifications at any time without prior notification.

IMPORTANT SAFETY INFORMATION

Thank you for purchasing this quality product. We want to help you get the best results from your new equipment and to operate it safely.

This manual contains the information on how to do that; please read it carefully. You will need this manual for the safety warnings and precautions, operating, maintenance and cleaning procedures, parts list and assembly diagram. Keep your invoice with this manual. Write the invoice number on the inside of the front cover. Keep this manual and invoice in a safe and dry place for future reference.

This manual should be considered a permanent part of the product and should remain with it if it is resold.

SAFETY PRECAUTIONS

Your safety and the safety of those around you are of utmost importance. This manual includes essential safety messages—please read them carefully to ensure proper use and avoid potential hazards.

The failure to follow instructions may result in damage to your power tool, other property, or the environment.

Product Information & Disclaimer

All details and specifications provided in this publication are based on the latest available product information at the time of printing.

We reserve the right to make updates at any time without prior notice or obligation.

Reproduction of any part of this manual is prohibited without written permission.

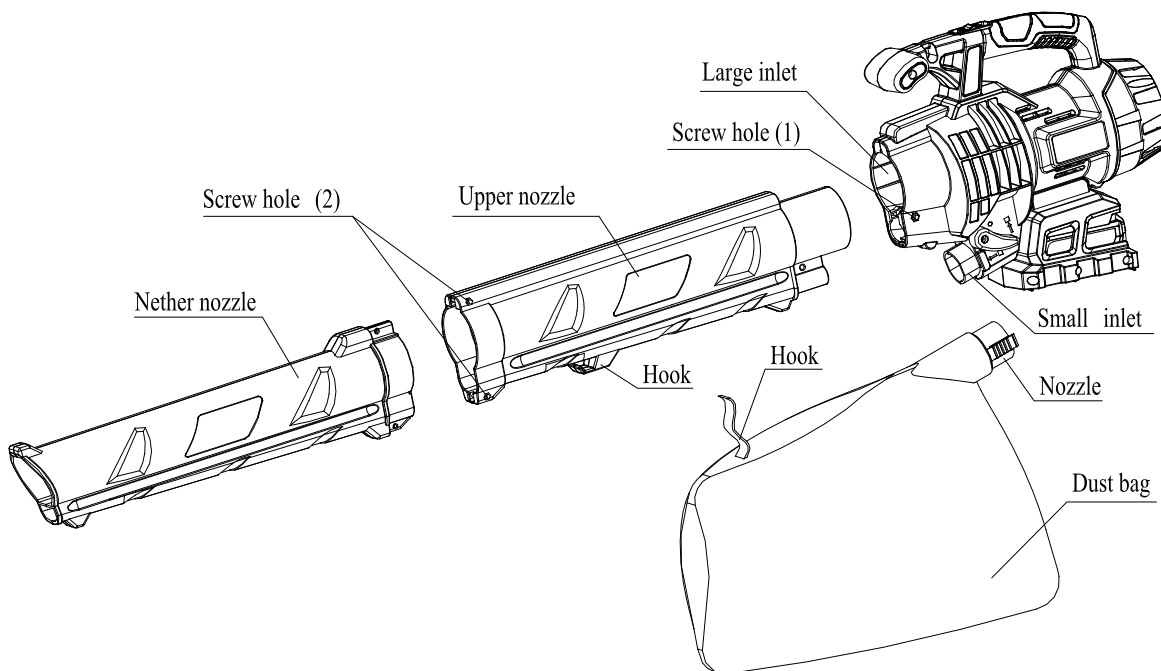
By following these safety guidelines, you can ensure the proper use of your equipment while protecting yourself, others, and your surroundings.

TECHNICAL SPECIFICATIONS

MODEL	IBLOWR-020
BATTERY VOLTAGE:	DC 20V
BATTERY TYPE:	Lithium-Ion
VOLUME METRIC FLOW RATE:	57cfm (high) / 44cfm (low)
AIR SPEED:	120mph (high) / 90mph (low)
DUST BAG VOLUME:	15ℓ
WEIGHT:	3.5kg

Please note that the accessories shown in this manual may either be included with the unit upon purchase or may not be available for sale or included at all. Additionally, certain key features depicted may not be standard. This manual is intended for reference purposes only.

PART LIST



GENERAL POWER TOOL SAFETY RULES

WARNING!

Read and save all safety warnings and instructions carefully. Failure to follow these warnings may result in electric shock, fire, or serious injury. Keep all warnings and instructions for future reference. The term “power tool” in these warnings applies to both mains-operated (corded) and battery-operated (cordless) tools.

WORK AREA SAFETY

- **Keep the work area clean and well-lit.** Cluttered or poorly lit spaces increase the risk of accidents.
- **Avoid operating power tools in explosive atmospheres.** Do not use tools in environments with flammable liquids, gases, or dust, as power tools generate sparks that could ignite these substances.
- **Keep children and bystanders at a safe distance** while operating a power tool. Distractions can lead to a loss of control, increasing the risk of injury.

ELECTRICAL SAFETY

- **Ensure power tool plugs match the outlet.** Never modify the plug in any way or use adapter plugs with earthed (grounded) power tools. Properly matched, unmodified plugs and outlets reduce the risk of electric shock.
- **Avoid contact with earthed or grounded surfaces** such as pipes, radiators, ranges, and refrigerators. Contact with these surfaces increases the risk of electric shock.
- **Keep power tools away from rain or wet conditions.** Water entering a power tool significantly raises the risk of electric shock.
- **If using a power tool in a damp location is unavoidable,** ensure the power supply is protected by a **Ground Fault Circuit Interrupter (GFCI)**. A GFCI reduces the risk of electric shock in such conditions.

PERSONAL SAFETY

- **Stay alert and focused.** Always pay attention to what you are doing and use common sense when operating a power tool. Avoid using power tools if tired or under the influence of drugs, alcohol, or medication. A moment of inattention can result in serious personal injury.
- **Use appropriate personal protective equipment.** Always wear eye protection, and use additional protective equipment such as a dust mask, non-skid safety shoes, a hard hat, or hearing protection, depending on the conditions. These measures reduce the risk of injury.
- **Prevent unintentional starting.** Ensure the switch is in the OFF position before connecting the tool to a power source, attaching a battery pack, picking up, or carrying the tool. Carrying tools with your finger on the switch or connecting power while the tool is on increases the risk of accidental activation.
- **Remove all adjusting keys or wrenches before turning on the tool.** Leaving these attached to rotating parts can cause serious personal injury.
- **Maintain proper footing and balance.** Avoid overreaching, and always keep a stable stance to retain control of the tool in unexpected situations.
- **Dress appropriately.** Avoid wearing loose clothing or jewellery, and ensure long hair is tied back. Keep hair, clothing, and gloves away from moving parts to prevent entanglement.
- **Use dust extraction and collection systems if available.** Properly connecting and using these systems helps reduce dust-related hazards.

POWER TOOL USE AND CARE

- **Use the correct tool for the job.** Do not force the power tool to perform tasks it is not designed for. The appropriate power tool will complete the task more efficiently and safely when used as intended.
- **Ensure proper operation of the switch.** Do not use the power tool if the switch does not properly turn it on and off. A tool that cannot be controlled via the switch is hazardous and should be repaired before use.
- **Disconnect the power source before adjustments.** Always unplug the Tool or remove the battery pack before adjusting, changing accessories, or storing the tool. This precaution prevents accidental activation.
- **Store tools securely and out of reach of children.** Keep idle power tools in a safe location, away from children and individuals unfamiliar with their operation. Tools in the hands of untrained users can be dangerous.
- **Maintain tools.** Regularly inspect power tools for misalignment, binding of moving parts, breakage, or any condition that may affect their performance. Damaged tools should be repaired before use, as poorly maintained tools are a common cause of accidents.
- **Keep cutting tools sharp and clean.** Properly maintained and sharp cutting edges reduce the likelihood of binding and make the tool easier to control.
- **Follow the tool's instructions and intended use.** Use the power tool, accessories, and bits according to the provided instructions and the conditions of the task. Using tools for unintended applications can lead to hazardous situations.

BATTERY TOOL USE AND CARE

- **Recharge only with the charger specified by the manufacturer.** Using a charger designed for a different battery pack may pose a risk of fire or damage to the battery.
- **Use designated battery packs.** Operate power tools only with the specific battery packs recommended by the manufacturer. Using other battery packs may result in injury or fire.
- **Store battery packs safely.** When not in use, keep the battery pack away from metal objects such as paper clips, coins, keys, nails, or screws. These items can create a connection between terminals, potentially causing burns or a fire.
- **Handle leaking batteries with care.** Under abusive conditions, liquid may leak from the battery:
 - Avoid contact with the liquid.**
 - If accidental contact occurs, flush the area with water.
 - If the liquid enters the eyes, rinse thoroughly with clean water for at least 10 minutes and seek medical attention.
 - Battery liquid may cause irritation or burns.

SERVICE

- **Use qualified service professionals.** Always have power tools serviced by a qualified repair technician at Adendorff Machinery Mart www.adendorff.co.za, ensuring that only identical replacement parts are used. This guarantees the safety and performance of the tool.
- **Adhere to maintenance guidelines.** Follow the manufacturer's instructions for lubrication and accessory changes to maintain the tool's functionality and longevity.
- **Maintain cleanliness.** Keep handles and external surfaces dry, clean, and free from oil and grease. A clean tool provides better grip and reduces the risk of slipping during use.

SAVE THESE INSTRUCTIONS

These safety instructions will help ensure safe and effective operation of the tool.

WARNING

- **DO NOT** let comfort or familiarity with the product (gained from repeated use) replace strict adherence to safety rules for the subject product. **MISUSE** or failure to follow the safety rules stated in this instruction manual may cause serious personal injury.
- It's essential to remain vigilant and prioritize safety every time the tool is used, regardless of the level of experience. Always follow the instructions and safety guidelines to avoid accidents and injuries.

CORDLESS VACUUM/BLOWER SAFETY

WARNINGS

- **Do not use the blower if switch does not turn it on or off.** The blower that cannot be controlled with the switch is dangerous and must be repaired.
- **Turn the tool off before making any adjustments,** changing accessories, or storing the blower. Such preventive safety measures reduce the risk of accidental operation.
- **Store idle blower out of reach of children and untrained persons.** Blowers are dangerous in the hands of untrained users.
- **Check for misalignment or binding of moving parts,** breakage of parts, or any other condition that may affect the blower's operation. If damaged, have the blower serviced before use. Many accidents are caused by poorly maintained tools.
- **Use only accessories that are recommended by the manufacturer for your model.** Accessories that may be suitable for one inflator may create a risk of injury when used on another.
- **Keep the inflator and its handle dry, clean, and free from oil and grease.** Always use a clean cloth when cleaning. Never use brake fluid, gasoline, petroleum-based products, or any strong solvents to clean your inflator. Following this rule will reduce the risk of loss of control and deterioration of the enclosure plastic.
- **Never point an blower toward yourself or others.**
- **Do not exceed the pressure rating of any component in the system.**
- **Do not use the blower on a ladder or unstable support.** Stable footing on a solid surface enables better control of the inflator in unexpected situations.
- **Do not disassemble the blower.**
- **Do not operate the blower near flammable liquids or in gaseous or explosive atmospheres.** Internal sparks may ignite fumes.
- **Know your blower.** Read the operator's manual carefully. Learn its applications, limitations, and the specific potential hazards related to this tool. Following this rule will reduce the risk of electric shock, fire, or serious injury.
- **Risk of bursting.** Do not operate the blower beyond the marked maximum pressure of the item being inflated.
- **To reduce the risk of electric shock, do not expose the blower to rain.** Store indoors.
- **Inspect the unit for cracks, pinholes, or other imperfections** that could cause it to become unsafe. Never cut or drill holes in the blower.
- **Use the blower only for its intended purpose.** Do not alter or modify the unit from its original design

or function.

- **Always be aware that misuse or improper handling** of this blower can cause injury to yourself and others.
- **If devices are provided are provided for the connection of dust extraction and collection facilities**, ensure that these are connected and properly used.
- **Do not continue using blower that leaks air or does not function properly.**
- **Always disconnect the battery pack before adjusting, servicing the blower, or when the blower is not in use.**
- **To prevent accidental starting, do not carry the tool with your finger on the switch when the battery is fitted.** Ensure the switch is OFF before inserting the battery.
- **Always follow all safety rules recommended by the manufacturer of your blower**, in addition to the safety rules in this manual. Following this rule will reduce the risk of serious personal injury.
- **Household use only.**
- **Do not use the blower as a breathing device.**
- **Never direct a jet of compressed air towards people or animals.** Take care not to blow dust and dirt toward yourself or others. Following this rule will reduce the risk of serious injury.
- **Protect your lungs.** Wear a face or dust mask if the operation is dusty. Following this rule will reduce the risk of serious personal injury. Always wear eye protection with side shield marked to comply with ANSI Z87.1.
- **Do not use this blower to spray chemicals.** Inhaling toxic fumes can cause severe lung damage.
- **Check damaged parts.** Before further use of the blower or air tool, inspect any damaged guards or other parts to ensure they function properly.
- **Inspect for issues.** Check for misalignment, binding of moving parts, breakage of components, mounting issues, or any other condition that may affect operation. Any damaged part should be repaired or replaced by an authorized service centre. Following this rule will reduce the risk of electric shock, fire, or serious injury.
- **Never block the outlets while operating.**
- **Do not use the suction function to collect burning or smoking materials**, including cigarettes, matches, or hot ashes.
- **Always use the dust bag when collecting dust, chips, or similar materials.**
- **Do not attempt to vacuum lightweight, flexible materials** such as plastic bags, films, or nylon lines, as they may obstruct airflow and damage the tool.
- **Do not attempt to vacuum or blow hard or solid objects** such as branches, stones, or large debris, as these may damage the tool.
- **Always ensure the dust bag is properly attached when using the suction function.**
- **Do not use the blower or suction function on wet surfaces.**
- **Do not use a damaged or modified battery pack.** Damaged or modified batteries may exhibit unpredictable behaviour, leading to fire, explosion, or injury.
- **Do not modify or attempt to repair a damaged battery pack.**
- **Do not expose a battery pack or appliance to fire or excessive heat.** Exposure to temperatures above 130°C may cause an explosion.
- **Follow all charging instructions.** Do not charge the battery pack or appliance outside the temperature range specified in the instructions. Charging improperly or outside the recommended temperature range may damage the battery and increase the risk of fire.
- **Have servicing performed by a qualified repair person using only identical replacement parts.** This will ensure the product's safety is maintained.

IMPORTANT SAFETY INSTRUCTIONS FOR BATTERY CARTRIDGE

- **Read all instructions and cautionary markings.** Before using the battery cartridge, carefully review the instructions and safety warnings provided for the:

Battery charger	Battery	Product using the battery
-----------------	---------	---------------------------
- **Do not disassemble the battery cartridge.** Disassembly can result in safety hazards or damage.
- **Discontinue use if operating time shortens significantly.** If the battery's operating time becomes excessively shorter, stop using it immediately. Continued operation may lead to overheating, burns, or even an explosion.
- **Handle electrolyte exposure with care.** If electrolyte comes into contact with your eyes:
 - Rinse them thoroughly with clear water for at least 10 minutes.
 - Seek medical attention immediately. Electrolyte can cause severe irritation or potential loss of eyesight.

DO NOT SHORT THE BATTERY CARTRIDGE

- **Avoid contact with terminals.** Do not touch the terminals of the battery cartridge with any conductive material.
- **Store the battery safely.** Do not store the battery cartridge in containers with other metal objects, such as nails, coins, or screws, to prevent accidental short circuits.
- **Protect from moisture.** Keep the battery cartridge away from water or rain. A short circuit caused by exposure to moisture can result in a large current flow, overheating, burns, or even battery failure.
- **Store in proper conditions.** Do not store the tool or battery cartridge in locations where the temperature may exceed 50°C (122°F).
- **Do not incinerate.** Never burn the battery cartridge, even if it is severely damaged or completely worn out. Incineration can cause the battery to explode.
- **Handle with care.** Avoid dropping or striking the battery cartridge to prevent internal damage.
- **Inspect before use.** Do not use a damaged battery cartridge under any circumstances.

TIPS FOR MAINTAINING MAXIMUM BATTERY LIFE

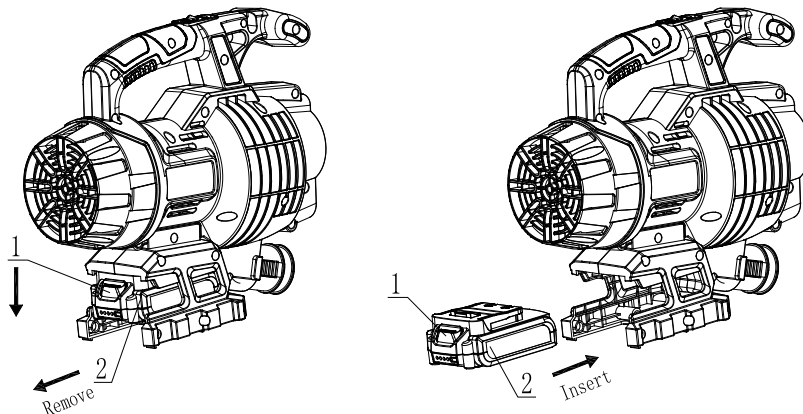
- **Charge before complete discharge.** Stop using the tool and recharge the battery cartridge as soon as reduced power is noticed. Avoid fully depleting the battery to prolong its lifespan.
- **Do not overcharge.** Avoid recharging a fully charged battery cartridge. Overcharging can reduce the battery's service life.
- **Charge within the recommended temperature range.** Ensure the battery cartridge is charged in an environment with a temperature between 10°C - 40°C (50°F - 104°F). Allow the battery cartridge to cool down if it is hot before recharging.

IMPORTANT CHARGING NOTES

- **Do not store in locations where the temperature may exceed 40°C:** Ensure that the tool is stored in a cool, dry place.
- **Charge only at ambient temperatures between 4°C and 40°C:** Charging outside this range can cause damage to the battery.
- **Charge only using the charger provided with the tool:** Other chargers may use different amperages that can damage or destroy the battery and/or tool.
- **Unplug charger before attempting to clean:** Always unplug the charger before cleaning to prevent electric shock or damage to the charger.
- **Do not immerse the charger in water or any other liquid:** Avoid getting the charger wet to prevent electric shock or damage.

INSTALLING OR REMOVING BATTERY CARTRIDGE

- **To remove the battery cartridge:** Press the release button on the front of the battery pack. Slide the battery pack out of the tool.
- **To insert the battery cartridge:** Align the latches on both sides of the battery cartridge with the groove in the housing. Slide the battery fully into place until it locks with a click. Ensure the battery is securely locked; otherwise, it may fall out, causing injury.
- **Avoid using force:** If the battery cartridge does not slide in easily, it is not aligned correctly. Check the alignment and try again.



BATTERY CHARGER OPERATION

Power off before connecting. Ensure the power source switch is turned **OFF** before plugging in the battery charger.

Review the instruction manual. Familiarize yourself with the entire manual before beginning any operation.

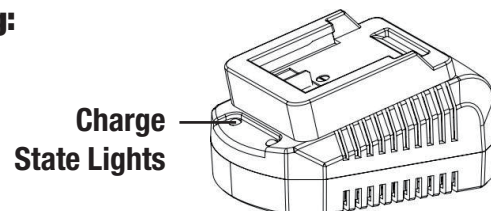
Insert the battery correctly. Align the terminals on the battery with those on the charger and slide the battery into place. It will lock securely with an audible click!

Plug in the battery charger then turn **ON** the power source

The charge state lights will indicate the following:

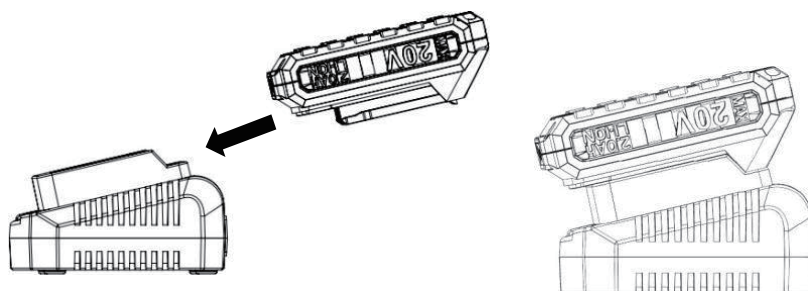
SOLID RED = Charging

SOLID GREEN = Fully Charged



NOTE:

To remove the battery: Press the **Battery Release Button** while gently pulling the battery away from the charger.



ASSEMBLING THE BLOWER

Step 1: Attach the Nether Nozzle to the Upper Nozzle

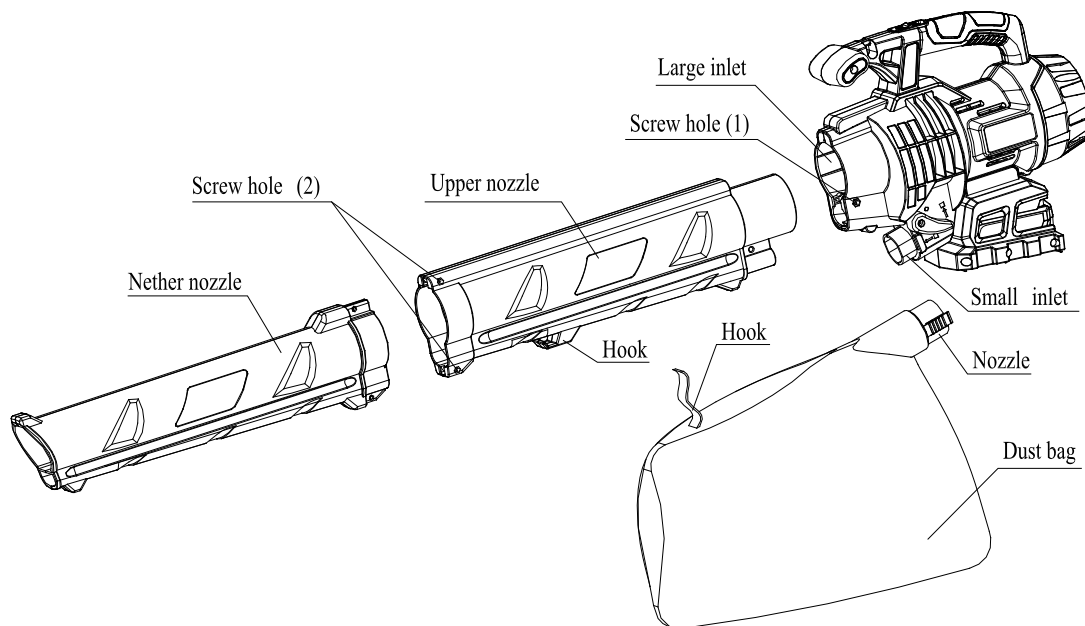
- Align the nether nozzle with the upper nozzle.
- Insert two screws (M4×25) into the two screw holes (2).
- Tighten the screws securely.

Step 2: Attach the Upper Nozzle to the Blower Outlet

- Connect the upper nozzle to the blower's large outlet.
- Insert one screw (M5×35) into the screw hole (1).
- Tighten the screw securely.

Step 3: Attach the Dust Bag

- Insert the small nozzle of the dust bag into the blower's small inlet.
- Secure the hook of the dust bag onto the upper nozzle to ensure proper attachment.



BLOWING OR DUST SUCTION FUNCTION

FUNCTION SELECTION INSTRUCTIONS

For Blowing Mode:

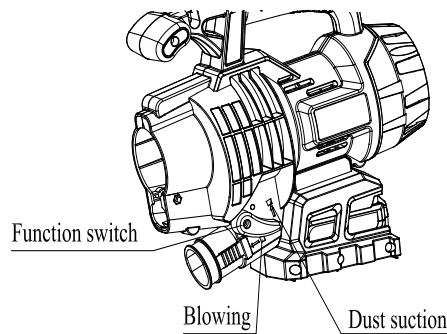
- Set the function switch to the “Blowing” position.
- The dust bag is optional in this mode.

For Dust Suction Mode:

- Set the function switch to the “Dust Suction” position.
- The dust bag must be attached before using this function to collect debris properly.

CAUTION

Always switch off the tool before changing between the blowing and dust suction functions.

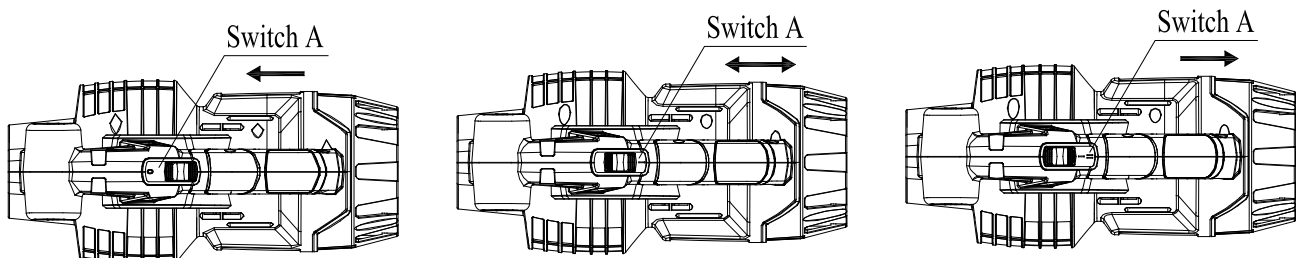


STARTING THE VACUUM/BLOWER

- **To start the tool, press Switch A**
Switch A can be moved forward or backward to adjust settings:
 - o "0" Position: Tool is stopped
 - o "I" Position: Low speed operation
 - o "II" Position: High speed operation
- When the dust bag is full, empty its contents into a dust bin by releasing the slide fastener.

CAUTION!

- Empty the dust bag before it becomes too full, as this can reduce suction power.
- Note: If either the nether nozzle or upper nozzle is removed, the blower will not function.



TROUBLESHOOTING

PROBLEM	POSSIBLE CAUSE	SOLUTION
The machine cannot pick up leaves while running.	Battery power is too low. Large leaves or branches are blocking the nozzle.	Remove the battery pack and charge it. Remove the battery pack, disassemble the nozzles, and remove any obstructions using tools.
The machine picks up leaves, but they do not reach the dust bag.	Blockage in the small inlet.	Remove the battery pack, detach the dust bag, and clear any blockages using tools.
Abnormal sound from the fan while the machine is running.	Flexible materials, such as plastic films or nylon lines, are wrapped around the fan.	Remove the battery pack, disassemble the nozzles, and clear any blockages using tools.

GENERAL INSPECTION

- **BEFORE EACH USE:**
Inspect the general condition of the tool thoroughly. Check for:
 - Leaking, swollen, or cracked battery pack.
 - Loose hardware.
 - Misalignment or binding of moving parts.
 - Cracked or broken parts.
 - Any other condition that may compromise safe operation.

MAINTENANCE

CAUTION:

- **Ensure safety before maintenance:** Always switch off the tool and remove the battery cartridge before performing any inspection or maintenance.
- **Avoid harmful substances:** Do not use petrol, diesel, benzene, thinner, alcohol, or similar substances for cleaning. These chemicals can cause discoloration, deformation, or cracks in the tool's materials.

NOTE:

- **Authorized repairs only:** To ensure product safety and reliability, all repairs, maintenance, or adjustments should be performed exclusively by Adendorff Machinery Mart Authorized Service Centers.
- **Use genuine parts:** Always use Adendorff Machinery Mart-approved replacement parts to maintain the tool's performance and warranty coverage.

STORAGE

- **Keep the tool stored in a dry, level area,** away from dampness, moisture, and rainfall.
- **Allow the tool to cool down completely before storing.**
- **Ensure the tool is clean and dry before storage.**
- **Store the tool in a position where it cannot be accidentally stepped on or moved,** especially to reach higher items.

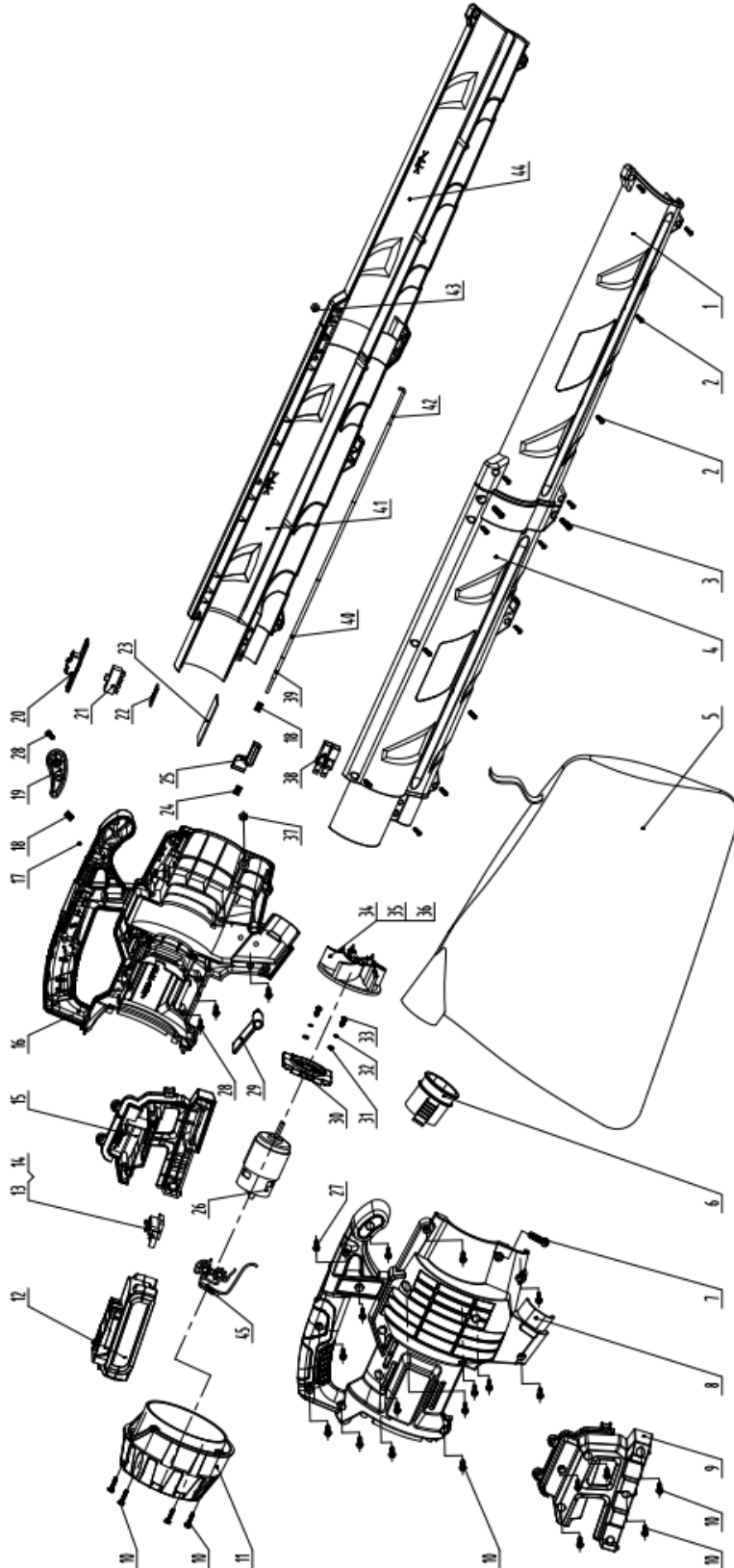
DO NOT:

- **Do not store the tool near an ignition source,** such as a wood stove, gas or electric heater, or any appliance with a pilot light.
- **Do not stack heavy or other items on top of the tool during storage.**

IMPORTANT:

- **Store the tool out of reach of children or individuals unfamiliar with its operation.**
- **Avoid direct sunlight or extreme temperatures.** Store the tool indoors or in a safe, frost-free area

PARTS LIST IBLOWR-020



PARTS LIST IBLOWR-020

No.	Description
1	Nether Nozzle
2	Screw
3	Screw (M4×25)
4	Upper Nozzle
5	Dust Bag
6	Dust Outlet
7	Screw (M5×35)
8	Right Housing Set
9	Right Socket
10	Screw (ST4×16)
11	Body Cover
12	Battery Pack
13	Connector
14	Connector Electrode
15	Left Socket
16	Left Housing Set
17	Steel Ball (Ø5)
18	Spring
19	Function Switch
20	Speed Button
21	Switch
22	Switch Circuit Board

No.	Description
23	Speed Circuit Board
24	Spring
25	Actuator
26	Motor
27	Screw (ST3.5×16)
28	Screw (ST4×14)
29	Wind Switch
30	Motor Supporter
31	Washer 4
32	Spring Washer 4
33	Screw (M4×12)
34	Fan
35	Fan Nut
36	Fan Pin
37	Nut (M5)
38	Switch
39	Pin
40	Long Steel Wire
41	Left Upper Nozzle
42	Short Steel Wire
43	Nut (M4)
44	Left Nether Nozzle

WARRANTY TERMS & CONDITIONS

WARRANTY PERIOD

- This product is warranted for 12 months from the date of purchase by the first user.

COVERAGE

- The warranty covers all material or production flaws, with exceptions:
- Batteries and chargers
- Parts subject to normal wear (e.g., bearings, brushes, cables, plugs)
- Accessories (e.g., drill bits, saw blades)

EXCLUSIONS

The warranty does not cover damage or defects from:

- Maltreatment, accidents, or alterations
- Inappropriate or negligent use of the tool
- Overloading, fluid permeation, excessive dust, or intentional damage
- Non-compliance with manual instructions, inexperienced assembly, lightning, or incorrect voltage

LIABILITY

- Adendorff Machinery Mart disclaims liability for bodily injury resulting from improper tool use.

REPAIRS

- All Warranty repairs must be conducted by an authorized Adendorff Machinery Mart repair center. All stores have in-house service technicians.

TRANSPORTATION COSTS

- Transportation costs for service are the customer's responsibility unless otherwise agreed in writing.

WARRANTY CLAIMS

- All Warranty claims do not extend or restart the warranty period.
- Claims may be rejected if purchase cannot be verified or if product maintenance is found to be lacking.
- A 3-month (Three Months) warranty applies to any repairs performed.

MAINTENANCE AND PROOF OF PURCHASE

- Maintain the product as instructed (e.g., clean ventilation slots, service carbon brushes regularly).
- Retain the purchase receipt as proof of purchase date.

RETURN CONDITIONS

- Return the product intact, in clean condition, and in its original blow-molded case (if applicable), along with proof of purchase.

For full warranty details, visit www.adendorff.co.za. For assistance, contact the national call centre at 011 434 7000.

 **Kinway**

Supplied By

Adendorff
machinery mart