

Model: GLIFTS000

1360KGS HYDRAULIC CAR LIFT

ORIGINAL OPERATING INSTRUCTIONS



SUPPLIED BY

Adendorff
machinery mart

www.adendorff.co.za



1360KGS HYDRAULIC CAR LIFT

Welcome to the Adendorff family!

We're delighted to have you with us and thank you for choosing our product. Your trust and support are greatly appreciated. We are confident this device will serve you well.

Please read this manual carefully before installation and use. It contains important safety information and operating instructions that must be followed to ensure correct and safe operation. Keep this manual for future reference.

Taking the time to familiarise yourself with the product will help you maximise its performance and ensure a smooth, trouble-free experience.

If you have any questions or require assistance, please don't hesitate to contact our support team.

PRODUCT INTRODUCTION

MAC AFRIC 1360KGS Hydraulic Car Lift

The car lift is suitable for maintenance and repair on vehicles.

- Maximum lifting height: 45 cm
- Safe working capacity: 1360kg (per pair)
- Platform length: 60cm
- Platform width: 34cm

SAFETY WARNINGS

1. Check for oil leakage before use.
2. Never move the hydraulic pump by lifting or carrying it using the foot pedal.
3. Never exceed the ramps' specified lifting capacity.
4. Always position the ramps on a stable, horizontal surface.
5. Ensure tyres are positioned centrally on the platform.
6. Securely insert the safety pin after lifting is complete.
7. Inspect the ramps for damage or defects before every use.
8. If the lifting heights on the left and right sides are not synchronised during operation, manually adjust the pressure relief valve until the heights are even before continuing.

Model: GLIFTS000

1360KGS HYDRAULIC CAR LIFT



Before adjust



Turn the pressure relief valve (the high side) counterclockwise until the both sides reach the same height.



After adjust

DANGER!

Read all safety regulations and instructions. Keep them in a safe place for future reference.

ASSEMBLY



1. Check the accessories and get ready for assembly



2. Open the tube cover



3. Insert the tube into the oil pump, tighten the nut.



4. Insert the foot pump into the socket



5. Assemble the support frame



6. Insert the safety pin



7. Assemble the steep hill



8. Fix it with "R" pin



9. Assemble the handle

1360KGS HYDRAULIC CAR LIFT

OPERATING INSTRUCTIONS

LIFTING

1. Close the lowering valves by screwing them clockwise.
2. Adjust the ramps so that the tyres are centered on the ramp when the vehicle is being driven up.
3. Repeatedly step on the pedal to lifting the ramp.
4. After lifting is complete, use the safety pin to lock the ramp.



LOWER

NOTE! Always lower the vehicle slowly.

1. Remove the safety pin to lower the ramps.
2. Rotate both sides of the pressure relief valve counterclockwise slowly at the same time.

NOTE! Do not turn the pressure relief valve more than one turn. Try to lower both ramps at the same time or lower them alternately a little at a time.



TROUBLESHOOTING

No.	Issue	Possible Cause	Solution
1	Abnormal noise occurs at component joints during product operation	Insufficient lubricating oil	Apply lubricating oil between the parts
2	Fails to lift	The pressure relief valve is not closed; Air may be trapped in the oil pump.	Close the pressure relief valve; Open the exhaust valve to release air.
3	Can't reach the specified lifting height	The pressure relief valve is not closed; Inadequate oil; Air may be trapped in the oil pump.	Close the pressure relief valve; Add enough oil; Open the exhaust valve to release air.
4	Oil leaks from the oil plug	Too much oil	Check the oil level and drain any excess oil.

1360KGS HYDRAULIC CAR LIFT

MAINTENANCE

1. Fill with oil



1). Find the oil plug (exhaust valve)



2). Remove the oil plug



3). Fill with hydraulic oil (NO.15 Hydraulic Oil)



4). Put the oil plug back

2. Venting the system

Sometimes air bubbles remain inside the piston, which leads to a reduction in the effect and the pistons lifting unevenly. Please release air as below way:

- 1). Open the exhaust valve, turn the pressure relief valve counterclockwise and repeatedly step on the foot pedal.
- 2). Tighten the pressure relief valve and exhaust valve.
- 3). If lifting still fails, repeat the steps.



1). Open the exhaust valve



2). Turn the pressure relief valve counterclockwise



3). Slightly raise oil pump, repeatedly step on the foot pedal



4). Tighten the pressure relief valve and exhaust valve.

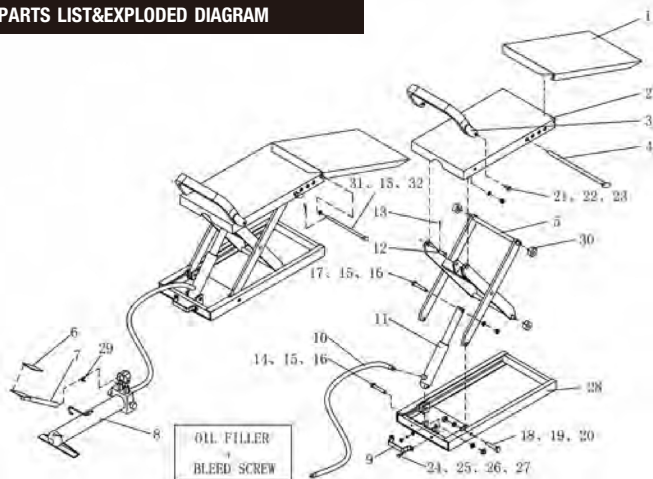
3. Rust protection

- 1). After operating pls lower the ramp and make sure that the ramp is in the bottom position.
- 2). Avoid contact with moisture. If the lift gets wet, wipe it off and lubricate all parts.

Model: GLIFTS000

1360KGS HYDRAULIC CAR LIFT

PARTS LIST&EXPLODED DIAGRAM



Part No.	Description	Qty.
1	Steep hill	2
2	Platform	2
3	Support frame	2
4	Ø16 Pin	2
5	Support frame	2
6	Rubber	1
7	Operating lever pedal	1
8	Pump	1
9	Handle	2
10	Hydraulic tube	2
11	Ram	2
12	Pin A	4
13	Cotter pin	4
14	Bolt M12 × 90	2
15	Ø12 Flat Washer	6
16	Nut M12	4

Part No.	Description	Qty.
17	Bolt M12 × 70	2
18	Bolt M14 × 70	4
19	Ø14 Flat Washer	4
20	Nut M14	4
21	Bolt M10 × 20	4
22	Ø10 Flat Washer	4
23	Nut M10	4
24	Bolt M8 × 40	4
25	Ø8 Flat Washer	4
26	Ø8 Spring Washer	4
27	Nut M8	4
28	Base	2
29	Pin B	1
30	Roller	8
31	"R" Pin	2
32	Ø12 Pin	2

1360KGS HYDRAULIC CAR LIFT

WARRANTY

WARRANTY TERMS AND CONDITIONS

Warranty Period

- This product is warranted for 12 months from the date of purchase by the first user.

Coverage

The warranty covers all material or manufacturing defects, with the following exceptions:

- o Batteries and chargers
- o Parts subject to normal wear (e.g. bearings, brushes, cables, plugs)
- o Accessories (e.g. drills, drill bits, saw blades)

Exclusions

- The warranty does not cover damage or defects caused by:
 - o Maltreatment, accidents, or alterations
 - o Inappropriate or negligent use
 - o Overloading, fluid ingress, excessive dust, or intentional damage
 - o Non-compliance with manual instructions, incorrect assembly, lightning, or incorrect voltage

Liability

- Adendorff Machinery Mart disclaims liability for bodily injury resulting from improper tool use.

Repairs

- Warranty repairs must be carried out by an authorised Adendorff Machinery Mart service centre. All stores have in-house service technicians.

Transportation Costs

- Transportation costs for service are the customer's responsibility unless otherwise agreed in writing.

Warranty Claims

- Warranty claims do not extend or restart the original warranty period.
- Claims may be rejected if the purchase cannot be verified or if product maintenance has been neglected.
- A 3-month warranty applies to any repairs performed.

Maintenance and Proof of Purchase

- Maintain the product as instructed (e.g. clean ventilation slots, service carbon brushes).
- Retain your purchase receipt as proof of purchase date.

Return Conditions

- Return the product intact, clean, and in its original blow-moulded case (if applicable), along with proof of purchase.

For full warranty details, visit www.adendorff.co.za.

For assistance, contact the national call centre at 011 434 7000.

**DANGER! Read all safety regulations and instructions.
Keep all safety regulations and instructions in a safe
place for future use.**

SUPPLIED BY

Adendorff
machinery mart

www.adendorff.co.za



SUPPLIED BY
ADENDORFF MACHINERY MART
98 SAILOR MALAN AVENUE, AEROTON
JHB, 2190
WWW.ADENDORFF.CO.ZA
MADE IN P.R.C.