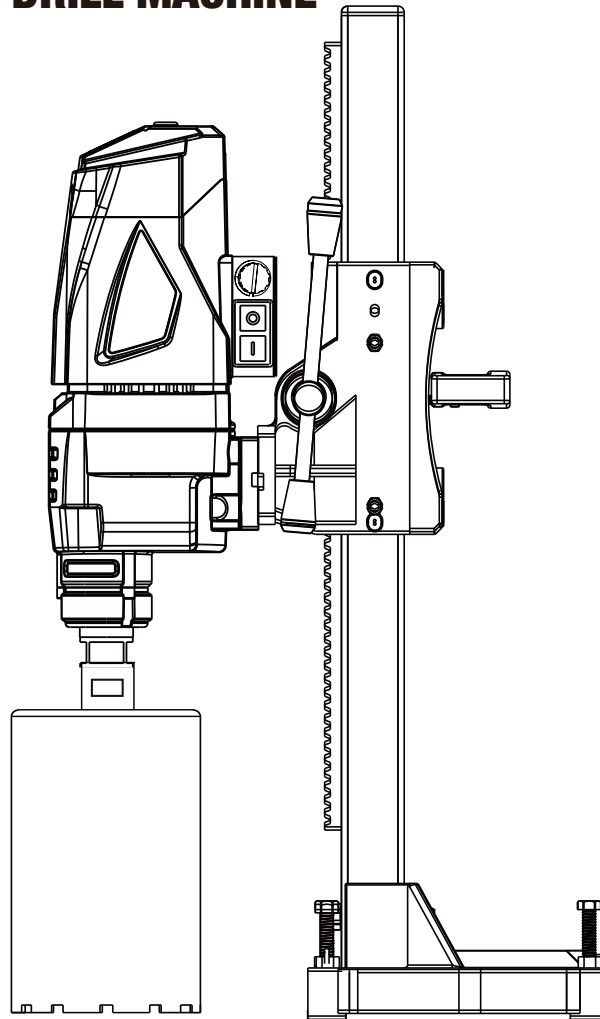




OPERATING INSTRUCTIONS / USER MANUAL CORE DRILL MACHINE



**Please read this manual carefully before use.
Retain it for future reference. Failure to follow safety
instructions may result in injury or product damage.**



Model: EDRILC002

E&OE Please Note that details and specifications contained herein, are correct at the time of publishing.
Adendorff reserve the right to change specifications at any time without prior notification.

vs1

TABLE OF CONTENTS

Introduction	2
Technical Details & Specifications	3
Safety Warning	4
Ppe Requirements	5
Operating Environment Requirements	5
Package Contents	6
Operating Instructions	7
Maintenance & Service Intervals	9
Storage Instructions	9
Troubleshooting	9
Disposal Guidelines	11
Parts List & Exploded Diagram	12
Customer Support-Repairs & Warranty	16

WELCOME TO THE ADENDORFF FAMILY!

We are delighted to have you with us. To ensure you get the best performance from your new product, we kindly advise you to read the instruction manual thoroughly before installation and use. This will help you maximize its potential and ensure a smooth and safe experience.

Thank you for choosing our product. We appreciate your trust and support, and we are confident that it will serve you well. Should you have any questions or require further assistance, please feel free to reach out to us.

IMPORTANT: Please store and save this manual in a safe, dry place for future reference. It contains essential safety, maintenance, and troubleshooting information that may be needed during the

SAFETY WARNINGS

WARNING!

Read and save all safety warnings and instructions carefully. Failure to follow these warnings may result in electric shock, fire, or serious injury. Keep all warnings and instructions for future reference.

ELECTRICAL SAFETY

- **Ensure electrical tool plugs match the outlet.** Never modify the plug in any way or use adapter plugs with earthed (grounded) power tools. Properly matched, unmodified plugs and outlets reduce the risk of electric shock.
- **Avoid contact with earthed or grounded surfaces** such as pipes, radiators, ranges, and refrigerators. Contact with these surfaces increases the risk of electric shock.
- **Keep electrical tools away from rain or wet conditions.** Water entering a power tool significantly raises the risk of electric shock.
- **If using a electrical tool in a damp location is unavoidable,** ensure the power supply is protected by a **Ground Fault Circuit Interrupter (GFCI)**. A GFCI reduces the risk of electric shock in such conditions.

PERSONAL SAFETY

- **Stay alert and focused.** Always pay attention to what you are doing and use common sense when operating a power tool. Avoid using power tools if tired or under the influence of drugs, alcohol, or medication. A moment of inattention can result in serious personal injury.
- **Prevent unintentional starting.** Ensure the switch is in the OFF position before connecting the tool to a power source, attaching a battery pack, picking up, or carrying the tool. Carrying tools with your finger on the switch or connecting power while the tool is on increases the risk of accidental activation.
- **Remove all adjusting keys or wrenches before turning on the tool.** Leaving these attached to rotating parts can cause serious personal injury.
- **Maintain proper footing and balance.** Avoid overreaching, and always keep a stable stance to retain control of the tool in unexpected situations.
- **Use dust extraction and collection systems if available.** Properly connecting and using these systems helps reduce dust-related hazards.

POWER TOOL USE AND CARE

- **Use the correct tool for the job.** Do not force the power tool to perform tasks it is not designed for. The appropriate power tool will complete the task more efficiently and safely when used as intended.
- **Ensure proper operation of the switch.** Do not use the power tool if the switch does not properly turn it on and off. A tool that cannot be controlled via the switch is hazardous and should be repaired before use.
- **Disconnect the power source before adjustments.** Always unplug the Tool or remove the battery pack before adjusting, changing accessories, or storing the tool. This precaution prevents accidental activation.
- **Store tools securely and out of reach of children.** Keep idle power tools in a safe location, away from children and individuals unfamiliar with their operation. Tools in the hands of untrained users can be dangerous.



- **Maintain tools.** Regularly inspect power tools for misalignment, binding of moving parts, breakage, or any condition that may affect their performance. Damaged tools should be repaired before use, as poorly maintained tools are a common cause of accidents.
- **Keep cutting tools sharp and clean.** Properly maintained and sharp cutting edges reduce the likelihood of binding and make the tool easier to control.
- **Follow the tool's instructions and intended use.** Use the power tool, accessories, and bits according to the provided instructions and the conditions of the task. Using tools for unintended applications can lead to hazardous situations.

SERVICE

- **Use qualified service professionals.** Always have tools serviced by a qualified repair technician at Adendorff Machinery Mart www.adendorff.co.za, ensuring that only identical replacement parts are used. This guarantees the safety and performance of the tool.
- **Adhere to maintenance guidelines.** Follow the manufacturer's instructions for lubrication and accessory changes to maintain the tool's functionality and longevity.
- **Maintain cleanliness.** Keep handles and external surfaces dry, clean, and free from oil and grease. A clean tool provides better grip and reduces the risk of slipping during use.

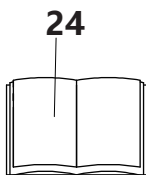
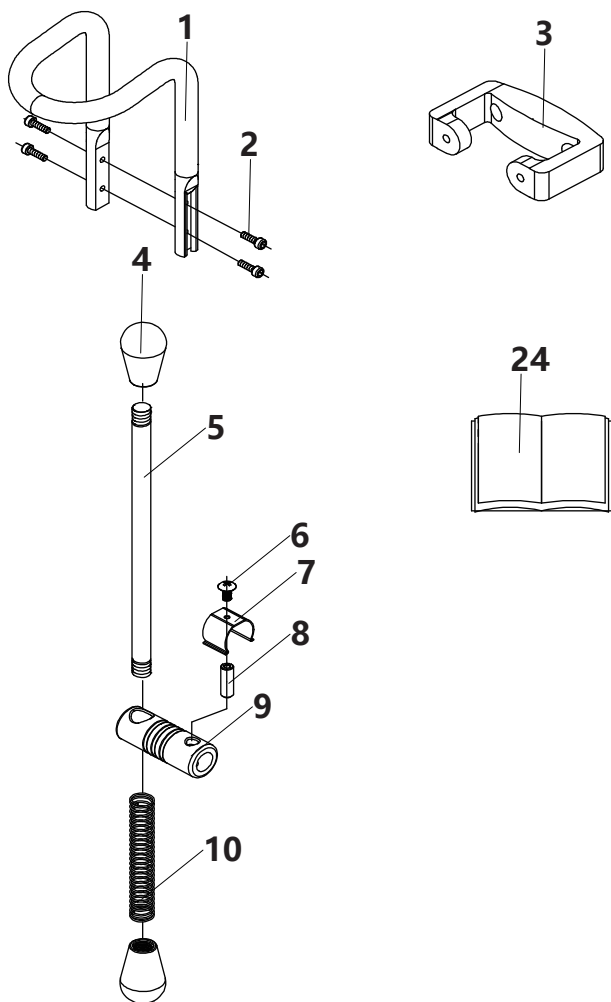
PPE REQUIREMENTS

- **Use appropriate personal protective equipment.** Always wear eye protection, and use additional protective equipment such as a dust mask, non-skid safety shoes, a hard hat, or hearing protection, depending on the conditions. These measures reduce the risk of injury.
- **Dress appropriately.** Avoid wearing loose clothing or jewellery, and ensure long hair is tied back. Keep hair, clothing, and gloves away from moving parts to prevent entanglement.

OPERATING ENVIRONMENT REQUIREMENTS

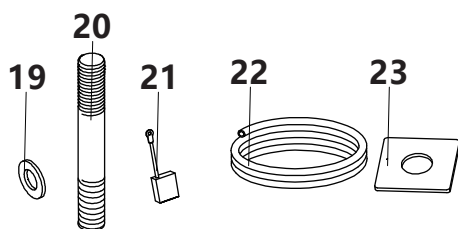
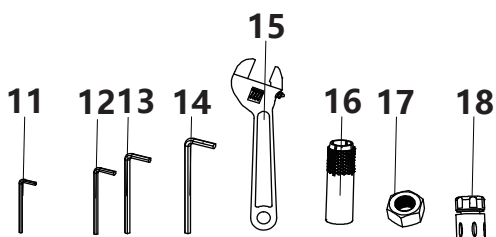
- **Keep the work area clean and well-lit.** Cluttered or poorly lit spaces increase the risk of accidents.
- **Avoid operating power tools in explosive atmospheres.** Do not use tools in environments with flammable liquids, gases, or dust, as power tools generate sparks that could ignite these substances.
- **Keep children and bystanders at a safe distance** while operating a power tool. Distractions can lead to a loss of control, increasing the risk of injury.
- **Disconnect the power before opening or maintenance.**

PACKAGE CONTENTS



LIST OF CONTENTS:

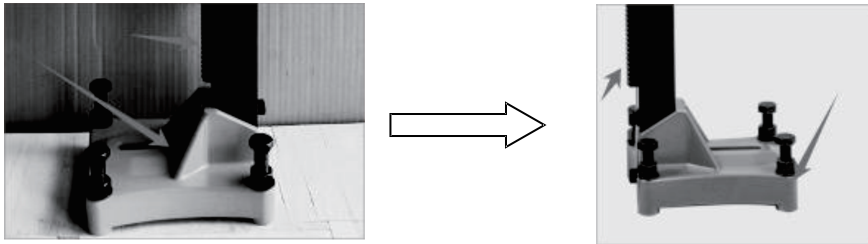
• 1 Handle handle	X1
• 2 Hexagonal socket screw	X4
• 3 handle	X1
• 4 Spherical handle	X2
• 5 Feed handle	X1
• 6 Stainless steel flat head screw	X1
• 7 Quickly remove the card	X1
• 8 fixing pin	X1
• 9 Connecting rod	X1
• 10 spring	X1
• 11 wrench	X1
• 12 wrench	X1
• 13 wrench	X1
• 14 wrench	X1
• 15 Adjustable wrench	X1
• 16 Expansion tube	X1
• 17 nut	X1
• 18 Yellow quick plug connector	X1
• 19 Flat cushion	X1
• 20 stud	X1
• 21 carbon brush	X1
• 22 Water pipe	X1
• 23 Square gasket	X1
• 24 instructions	X1



OPERATING INSTRUCTIONS

ASSEMBLY

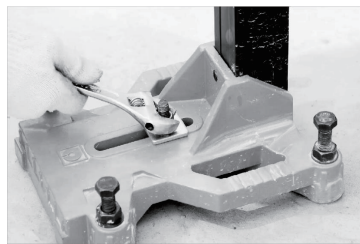
1. When unpacking the carton, you will notice that the base of the drill stand is positioned incorrectly. Remove it using a wrench and reinstall it in the correct direction.



2. Measure the distance from the center of the intended cut to the mounting slot location in the base. Follow the concrete anchor manufacturer's instructions for installation.

Using a suitable tool (e.g., a rotary hammer), drill the correct sized hole for the anchor. Drive the anchor below flush.

3. Move the base into position and insert the anchor bolt, washer, and nut. Leave the nut finger-tight at this stage.



4. Using the bubble level (on top of the motor), adjust the four leveling bolts until the stand is level. Once level, fully tighten the center anchor bolt. If precise leveling is required, a carpenter's level may also be used.



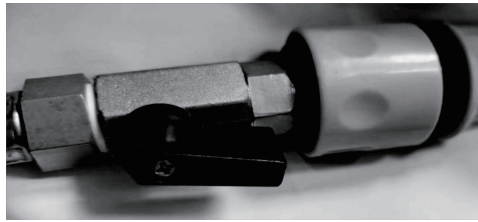
WARNING: Never attempt to drill unless the stand is securely fixed.

DRILLING INSTRUCTIONS

1. Press the "Reset" button on the PRCD interrupter device to energize the machine circuit. Then turn the machine on.



2. Open the water valve slightly and begin the cut gently. Apply very light feed pressure to prevent the bit from wandering until it has fully entered the cut.



3. Adjust the water feed as required: The exiting water should be a consistent slurry with the appearance of milk. If the water is clear → reduce the flow.

If the water is thick and muddy → increase the flow.

Ensure the water pressure is sufficient to flush cutting debris from the cut.



4. Once the bit is engaged, apply steady feed pressure for about 30 seconds. Then release feed pressure briefly to allow debris to escape and the bit to cool. Repeat this cycle until the cut is complete.

5. When nearing breakthrough, reduce feed pressure. At this stage, the bit is prone to sticking. Grip the machine firmly and proceed carefully.

OPERATING INSTRUCTIONS

Mounting the Core Bit

CAUTION: Ensure that the spindle thread and the core bit thread match.



Spindle: 1-1/4"-7UNC and G1/2

Mismatched threads will damage both the spindle and the core bit.

Steps:

Make sure both the core bit and spindle are clean.

Debris can cause excessive run-out, which may result in premature bit failure or safety hazards.

Mount the core bit onto the spindle and tighten using two correct-sized wrenches.

Do not use incorrect tools, as this may damage the spindle or bit.

Choosing the Correct Core Bit

Always ensure the core bit is suitable for the material you are drilling.

MAINTENANCE & SERVICE INTERVALS

CAUTION:

- **Avoid harmful substances:** Do not use petrol, diesel, benzene, thinner, alcohol, or similar substances for cleaning. These chemicals can cause discoloration, deformation, or cracks in the tool's materials. Wipe clean as needed. Use mild upholstery cleaner (not caustic) to clean seat as needed. Never add lubricant to casters!

NOTE:

- **Authorized repairs only:** To ensure product safety and reliability, all repairs, maintenance, or adjustments should be performed exclusively by Adendorff Machinery Mart Authorized Service Centers.
- **Use genuine parts:** Always use Adendorff Machinery Mart-approved replacement parts to maintain the tool's performance and warranty coverage.

STORAGE INSTRUCTIONS

- **Keep the tool stored in a dry, level area,** away from dampness, moisture, and rainfall.
- **Allow the tool to cool down completely before storing.**
- **Ensure the tool is clean and dry before storage.**
- **Store the tool in a position where it cannot be accidentally stepped on or moved, especially to reach higher items.**

DO NOT:

- **Do not store the tool near an ignition source,** such as a wood stove, gas or electric heater, or any appliance with a pilot light.
- **Do not stack heavy or other items on top of the tool during storage.**

IMPORTANT:

- **Store the tool out of reach of children or individuals unfamiliar with its operation.**
- **Avoid direct sunlight or extreme temperatures. Store the tool indoors or in a safe, frost-free area**

TROUBLESHOOTING

When troubleshooting electric tools, start by checking the power source ensure the tool is properly plugged into a functional outlet. Inspect the power switch, fuses, and any reset buttons for signs of malfunction. Look for visible damage to cords, connectors, or terminals, as these can interrupt the power flow.

If the tool still doesn't operate, remove any obstructions, clean the contacts, and verify that all safety features or interlocks are properly engaged.

Adendorff Machinery Mart Authorized Service Centers to avoid further damage or safety hazards.

Fault	Reason	Troubleshooting
Motor does not rotate	The power supply is disconnected or the connector is loose.	Restore power, check all connections and tighten
	Carbon brush stuck, disengaged commutator	Reinstall the carbon brushes
	The leakage protector is not reset after it is activated	Press the reset button to restart the motor
	The leakage protector is damaged	Replace the leakage protector
Drilling too slow	The drill bit has reached the end of its life	Replace drill bit
	Feed pressure too low	Increase feed pressure
	The drill bit surface is covered with fine chips	Clean the drill bit and increase the water pressure
	Speed is too high	Shift to low gear
	Cutting the thick steel bar causes slippage	The feeding pressure is reduced, and the pressure is increased after the steel bar is passed.
	Chip accumulation in machining hole	Clean the bottom of the hole and pressurize
	Water flow is not smooth, water leakage or no backflow	Check the water inlet ball valve and water flow
	Reduced drill bit sharpness	Resharpen with refractory bricks or grinding wheel
Drilling stuck	Steel bar skin or debris is stuck between the drill core and the drill bit or between the drill bit and the hole wall	Stop the machine and use a wrench to turn the drill bit left or right, or pull out the drill bit to fix the center of the drill.
	The rack is not fixed firmly, causing displacement	Re-secure the rack
	The gap between the rack column and the sliding sleeve is too large	Adjust the sleeve clearance
Rapid wear of drill hole wall	Spindle misalignment	Repair or replace the spindle
	Drill bit is not straight	Replace drill bit
	Steel bars or fines cannot be removed from the hole	Improve water flow, remove drill bit, clean hole
Water jacket leakage	The skeleton seal ring is worn or aged	Replace the frame seal
The machine is turning	Motor clutch is loose	Tighten the clutch

DISPOSAL GUIDELINES

When disposing of electric and battery-operated tools, always follow local regulations and environmental guidelines. Start by removing any batteries, as they require separate handling due to their hazardous materials—recycle them at designated battery recycling centers or collection points.

For the tool itself, do not throw it in regular trash; instead, take it to an authorized e-waste recycling facility or a community hazardous waste disposal event.

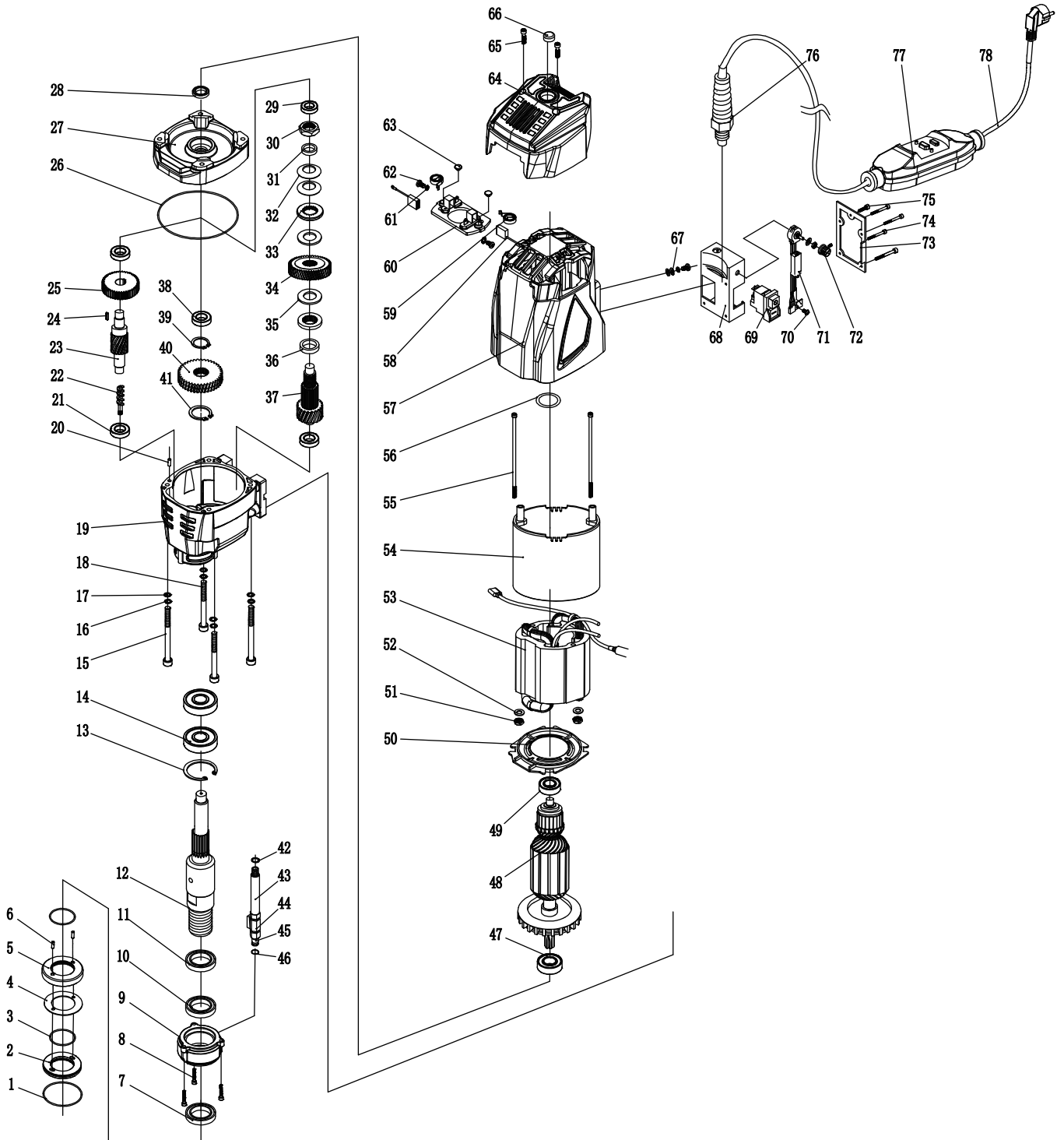
Always erase any personal data stored in smart tools and ensure components are safely handled to prevent environmental contamination or injury.

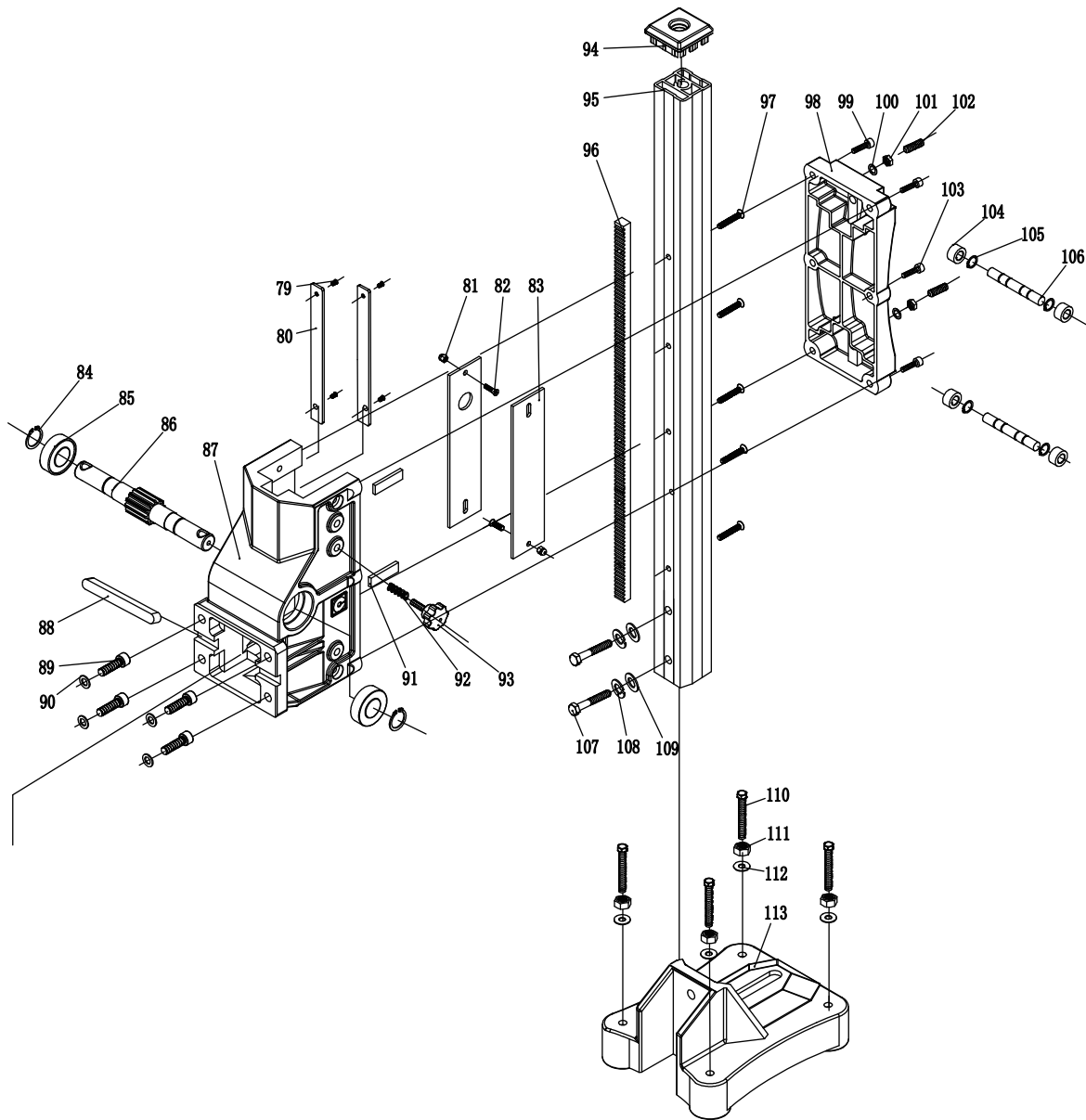
PARTS LIST & EXPLODED DIAGRAMS

EDRILC002				
	name	quantity	specifications	notes
1	o - ring	1	Φ 52*1.5	
2	Equalizer inner ring	1	200A	
3	o - ring	4	Φ 35*1.5	
4	Needle roller gasket	1	32*52*1	
5	Balanceouter ring	1	200A	
6	cylindrical pin	2	Φ 4*12	
7	oil seal	1	40*50*7	
8	Hexagonal socket screw	3	M5*20	
9	hydrosphere	1	200D	
10	oil seal	1	40*50*7	
11	oil seal	1	40*50*7	
12	main shaft	1	KF -200 -B	
13	NECKAR	1	Φ 47	
14	bearing	2	6005	
15	Hexagonal socket screw	2	M6*110	
16	Spring washer	4	M6	
17	Flatcushion	4	M6	
18	Hexagonal socket screw	2	M6*85	
19	Gearbox	1	200D	
20	cylindrical pin	1	Φ 4*12	
21	bearing	2	6201	
22	Threaded column	1	200D	
23	Grade I gear shaft	1	L -200D -2(13)	
24	Crescent sales	1	4*12	
25	Grade I gear	1	200D -1(7)	
26	o - ring	1	Φ 132*2.2	
27	Middle cover	1	200D	
28	oil seal	1	15*21*3	
29	bearing	2	6201	LFB
30	nut	1	200	
31	Iron ring	1	200 -2	
32	Arc shaped cushion	2	200	
33	Spline gasket	2	200 -4.0	
34	Gradell gear	1	230 -3	
35	Clutch plate	2	200	
36	Iron ring	1	250	
37	Grade II gear shaft	1	200D -4	
38	bearing	1	6201	LFB
39	wild card	1	Φ 22	
40	shaft gear	1	230 -5	
41	wild card	1	Φ 24	
42	o - ring	2	Φ 15*1.5	
43	hose	1	200A	
44	Mini ball valve	1	200A	
45	Faucet connector	1	200A -EU	
46	o - ring	1	Φ 12*2.5	
47	bearing	1	6202	LFB
48	rotor	1	200D -7(6A)	
49	bearing	1	6201	
50	Windshield ring	1	200D	
51	Locknut	2	M5	
52	Flatcushion	2	M5	
53	stator	1	200D(6A)	
54	lining	1	200A -I	220V
55	Hexagonal socket screw	2	M5*105	

PARTS LIST & EXPLODED DIAGRAMS

56	o - ring	1	Φ 38*3.1	
57	Stator shell	1	200D - H - K	
58	coil spring	2	200A	
59	brush holder	1	200D - H	
60	Corrugated gasket	2	M4	
61	Round head cross screw	2	M4*8	
62	Hexagonal dust plug	2	M5	
63	top cap	1	200D	
64	Hexagonal socket screw	2	M4*10	
65	level	1	Φ 18*8	
66	Combination screw	1	M4*10	
67	Switch box	1	200A - FS(TS)	
68	switch	1	KJD17B	
69	Round head cross self tapping	1	M4*8	
70	governor	1	SCYRQDGZQ - 18A	
71	knob	1	KN - 8D	
72	Switch box cover	1	200A - FS(TS)	
73	Hexagonal socket screw	4	M4*50	
74	Hexagonal socket screw	1	M4*25	220V
75	Anti bending joint	1	M16*1.5	
76	Leakage protector	1	PD22A	
77	power line	1	3*1.5*3.5	
78	Cross leveling machine scre	4	M4*8	
79	Small slide	2	200	
80	Locknut	4	M5	
81	Cross leveling machine scre	4	M5*20	
82	Large slide	2	200	
83	wild card	2	Φ 16	
84	bearing	2	6003	
85	Elevating Axis	1	200	
86	elevator	1	200 - CX	
87	Square pin	1	10*10*95	
88	Hexagonal socket screw	4	M8*35	
89	Flat cushion	4	M8	
90	Adjust the iron sheet	2	200	12*48*3
91	spring	1	200 - 505	
92	Plum blossom rubber bal	1	M8*30	
93	top cap	1	49*49	
94	Aluminum square pole	1	49*49*900	
95	rack	1	14*14*700(M2)	
96	Flat head hexagonal screw	5	M6*55	
97	cover plate	1	200 - CX	
98	Hexagonal socket screw	4	M6*25	
99	Flat cushion	4	M8	
100	nut	4	M8	
101	Flat head hexagonal tightening	4	M8*25	
102	Hexagonal socket screw	2	M6*35	
103	roller	4	200	
104	wild card	4	Φ 10	
105	roller shaft	2	200	10*76
106	External hexagon screw	2	M12*70	
107	Spring washer	2	M12	
108	Flat cushion	2	M12	
109	External hexagon screw	4	M16*80	
110	nut	4	M16	
111	Flat cushion	4	M16	
112	base	1	200 - CX	





CUSTOMER SUPPORT – REPAIRS & WARRANTY

WARRANTY PERIOD

- This product is warranted for 12 months from the date of purchase by the first user.

COVERAGE

- The warranty covers all material or production flaws, with exceptions:
- Batteries and chargers
- Parts subject to normal wear (e.g., bearings, brushes, cables, plugs)
- Accessories (e.g., drill bits, saw blades)

EXCLUSIONS

The warranty does not cover damage or defects from:

- Maltreatment, accidents, or alterations
- Inappropriate or negligent use of the tool
- Overloading, fluid permeation, excessive dust, or intentional damage
- Non-compliance with manual instructions, inexperienced assembly, lightning, or incorrect voltage

LIABILITY

- Adendorff Machinery Mart disclaims liability for bodily injury resulting from improper tool use.

REPAIRS

- All Warranty repairs must be conducted by an authorized Adendorff Machinery Mart repair center. All stores have in-house service technicians.

TRANSPORTATION COSTS

- Transportation costs for service are the customer's responsibility unless otherwise agreed in writing.

WARRANTY CLAIMS

- All Warranty claims do not extend or restart the warranty period.
- Claims may be rejected if purchase cannot be verified or if product maintenance is found to be lacking.
- A 3-month (Three Months) warranty applies to any repairs performed.

MAINTENANCE AND PROOF OF PURCHASE

- Maintain the product as instructed (e.g., clean ventilation slots, service carbon brushes regularly).
- Retain the purchase receipt as proof of purchase date.

RETURN CONDITIONS

- Return the product intact, in clean condition, and in its original blow-molded case (if applicable), along with proof of purchase.

1. LOCATE YOUR NEAREST BRANCH

Visit our website at www.adendorff.co.za and use the Store Locator to find the nearest branch to you.

2. PREPARE PRODUCT DETAILS

Before contacting or visiting a branch, please have the following information ready:

- Product name and model number
- Proof of purchase (invoice or receipt)
- A brief description of the issue or fault

3. CONTACT OR VISIT THE BRANCH

Phone: Call your nearest Adendorff Machinery Mart branch directly for repair intake or service queries.

In Person: Bring the product to the branch for assessment. Ensure it is clean and safely packed for transport.

4. WARRANTY REPAIRS

If your item is still under warranty, repairs will be handled according to the warranty terms. Ensure you bring the original receipt with the product.

5. OUT-OF-WARRANTY REPAIRS

For items no longer under warranty, a quotation will be provided for approval before any work begins.

Note: Repairs may take several business days depending on parts availability and workshop load. You will be contacted once your item is ready for collection.

For full warranty details, visit www.adendorff.co.za. For assistance, contact the national call centre at 011 434 7000.



SUPPLIED BY



www.adendorff.co.za